

Lead Free Brass Ball Valve



Full Port • Solder Connection • Pump Flange and Drain

• 600 WOG



JF-110S-FLG

Features

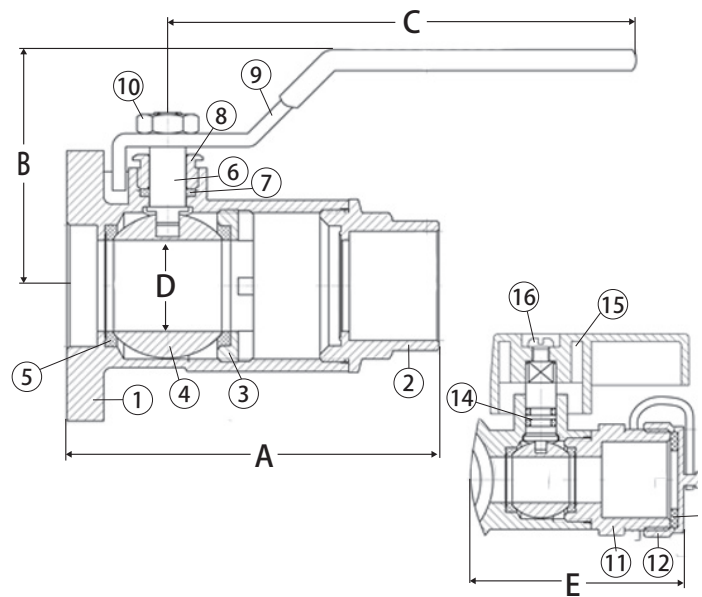
- For use on flanged circular pumps
- Ideal for recirculation pumps in potable water systems
- Dezincification resistant brass alloy
- Integrated drain valve with 3/4" GHT
- Gland follower
- Blow-out proof stem
- 100% leak tested
- Wetted surfaces contain less than .25% lead content

Pressure / Temp Rating

- 600 WOG
- Max 250°F



WARNING: This product can expose you to chemicals including lead, which is known to the State of California to cause cancer, and lead, which is known to the State of California to cause birth defects or other reproductive harm. For more information go to www.P65Warnings.ca.gov.



Material Specifications

No.	Part	Materials
1	Body	Lead Free Brass - C46500
2	End Connection	Lead Free Brass - C46500
3	Seat Retainer	Lead Free Brass - C46500
4	Ball (2)	Chrome Plated LF Brass - C46500
5	Seat (4)	PTFE
6	Stem (2)	Lead Free Brass - C46500
7	Packing	PTFE
8	Packing Gland	Lead Free Brass - C46500
9	Handle	Steel - Chrome Plated
10	Handle Nut	Steel - Chrome Plated
11	Drain End Connection	Lead Free Brass - C46500
12	Drain End Cap	Lead Free Brass - C46500
13	Drain Gasket	Buna-N
14	Stem O-Ring (2)	Buna-N
15	Drain Handle	Aluminum
16	Drain Screw	Steel - Chrome Plated
17	Mounting Bolt (2)*	Steel - Chrome Plated
18	Mounting Nut (2)*	Steel - Chrome Plated
19	Pump Gasket*	EPDM

*Not shown in drawing

Dimensions

Part No.	Size	A	B	C	D	E
110-214FLG	3/4"	3.62	2.23	4.01	1.02	2.42
110-215FLG	1"	3.84	2.44	4.61	1.26	2.40
110-216FLG	1-1/4"	4.25	3.21	4.61	1.57	2.93