

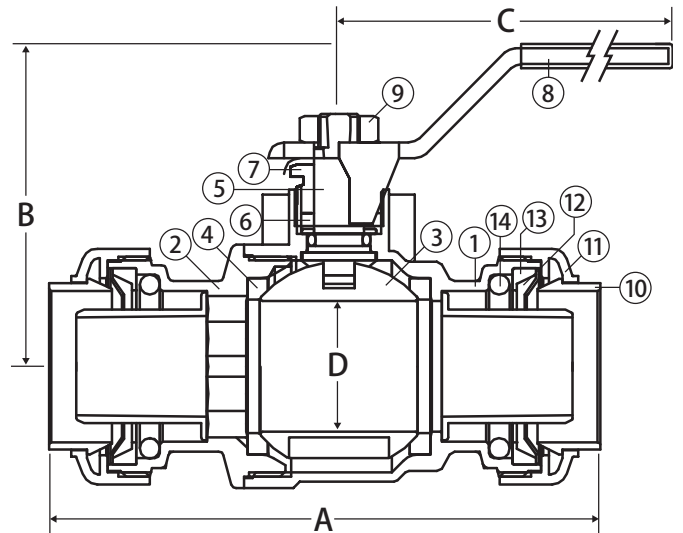
# Lead Free Brass Ball Valve



2 Piece • Full Port • Push-Fit Connection • 200 WOG



JFPG-100



## Features

- Gland follower and single o-ring stem design
- Easy to connect and fit in seconds
- Connects with copper, CPVC and PEX
- Includes two pipe reinforcers and release tool
- Wetted surfaces contain less than .25% lead content

## Approvals

- IAPMO Certified
  - NSF 372
  - Uniform Plumbing Code (cUPC)
    - IAPMO/ANSI Z1157-2014
    - NSF/ANSI 14-2014
- Conforms to ASSE 1061

## Pressure Rating

- Pressure rating: max. 200 PSI
- Temperature range: max. 200° F water service

## Material Specifications

No.	Part	Materials
1	Body	Lead Free Brass - C46500
2	End Connection	Lead Free Brass - C46500
3	Ball	Chrome Plated Lead Free Brass - C46500
4	Seat (2)	PTFE
5	Stem	Lead Free Brass - C37700
6	Packing	PTFE
7	Packing Gland	Brass - C37700
8	Handle	Steel
9	Handle Nut	304 Stainless Steel
10	Push Ring	POM
11	Lock Ring	Lead Free Brass - C37700
12	Gripper Ring	Steel
13	Seat Ring	POM
14	O-ring	EPDM

## Dimensions

Part No.	Size	A	B	C	D
100-103JFPG	1/2"	2.95	1.69	3.64	0.59
100-104JFPG	3/4"	3.48	1.83	3.64	0.75
100-105JFPG	1"	4.14	2.42	4.17	0.98



**WARNING:** This product can expose you to chemicals including lead, which is known to the State of California to cause cancer, and lead, which is known to the State of California to cause birth defects or other reproductive harm. For more information go to [www.P65Warnings.ca.gov](http://www.P65Warnings.ca.gov).