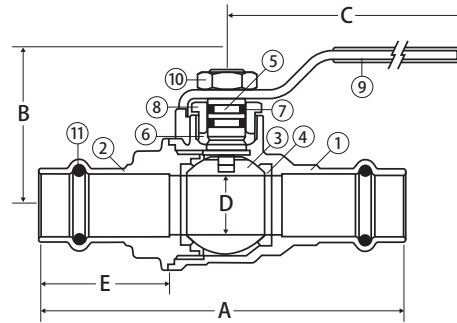


Lead Free Brass Ball Valve

2 Piece, Full Port, Press Connection, 250 WOG

JP-100G



FEATURES

- Dezincification Resistant Brass Alloy
- Leak Detection O-rings
- Triple Sealing Stem with 2 FKM O-rings and PTFE G300
- Blow-out Proof Stem
- 100% Leak Tested
- 100% Made in Italy
- Leakproof Stem - Lifetime Warranty
- Wetted Surfaces Contain Less than .25% Lead Content
- Accessories Available

CERTIFICATIONS/APPROVALS

- NSF 372
- NSF 61-8
- NSF 61 - Annex G
- Conforms to IAPMO PS 117
- Meets ISO 6509

PRESSURE/TEMPERATURE RATING

- 250 WOG
- Max. 250° F

MATERIALS

No.	Part	Material
1	Body	Lead Free Brass - C27453
2	End Connection	Lead Free Brass - C27453
3	Ball	T.E.A. Coated Brass - C28500
4	Seat (2)	PTFE G300
5	Stem	Lead Free Brass - C28500
6	Packing	PTFE G300
7	Stem O-ring (2)	FKM
8	Packing Gland	Brass - C38500
9	Handle	Steel - Geomet® Plated
10	Handle Nut	Steel - Geomet® Plated
11	O-ring (2)	EPDM

DIMENSIONS

Part No	Size	A	B	C	D	E	Cv
100-203G	1/2"	3.54	1.53	2.95	0.59	1.24	16.82
100-204G	3/4"	3.84	1.95	3.74	0.79	1.28	34.80
100-205G	1"	4.31	2.40	4.75	0.97	1.38	52.20
100-206G	1-1/4"	4.80	2.59	4.75	1.23	1.30	112.52
100-207G	1-1/2"	5.61	3.22	6.00	1.49	1.50	174.00
100-208G	2"	7.16	3.40	6.00	1.99	2.01	255.20



WARNING: This product can expose you to chemicals including lead, which is known to the State of California to cause cancer, birth defects or other reproductive harm. For more information go to www.P65Warnings.ca.gov.