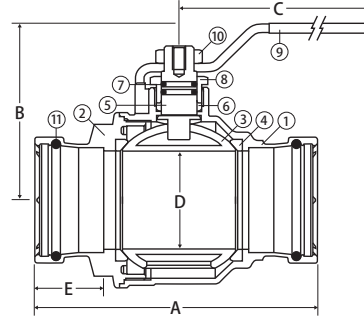


Lead Free Brass Ball Valve

2 Piece, Full Port, Press XLC Connection, 200 WOG

JP-100G XLC



FEATURES

- Dezincification Resistant Brass Alloy
- Triple Sealing Stem with 2 FKM O-Rings and PTFE G300 Seal
- Blow-Out Proof Stem
- 100% Leak Tested
- 100% Made in Italy
- Leakproof Stem - Lifetime Warranty
- Wetted Surfaces Contain Less Than .25% Lead Content

CERTIFICATIONS/APPROVALS

- Conforms to IAPMO PS 117
- Meets ISO 6509

PRESSURE/TEMPERATURE RATING

- 200 WOG
- Max. 250°F

MATERIALS

No.	Part	Material
1	Body	Lead Free Brass - C27453
2	End Connection	Lead Free Brass - C27453
3	Ball	Chrome Plated Brass - C28500
4	Seat (2)	PTFE G300
5	Stem	Lead Free Brass - C28500
6	Packing	PTFE G300
7	Stem O-Ring (2)	FKM
8	Packing Gland	Brass - C38500
9	Handle	Steel - Geomet® Plated
10	Handle Nut	Brass - C38500
11	O-Ring (2)	EPDM

DIMENSIONS

Part No	Size	A	B	C	D	E	Cv
100-209XLCG	2-1/2"	7.13	4.72	8.00	2.46	1.75	350.32
100-210XLCG	3"	8.49	5.31	8.00	2.99	1.92	563.76
100-211XLCG	4"	10.79	5.90	9.88	4.00	2.22	879.28



WARNING: This product can expose you to chemicals including lead, which is known to the State of California to cause cancer, birth defects or other reproductive harm. For more information go to www.P65Warnings.ca.gov.