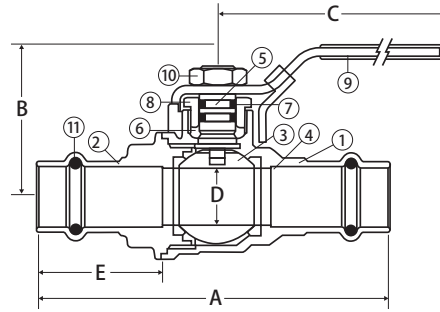


Lead Free Brass Ball Valve

2 Piece, Full Port, Press Connection, with Stainless Steel

Ball and Stem, 250 WOG, with Stainless Steel Latch Locking Handle

JP-100SSG-LH



FEATURES

- Dezincification Resistant Brass Alloy
- Triple Sealing Stem with 2 FKM O-Rings and PTFE G300 Seal
- Blow-out Proof Stem
- 100% Leak Tested
- 100% Made in Italy
- Leakproof Stem - Lifetime Warranty
- Wetted Surfaces Contain Less Than .25% Lead Content
- Accessories Available

CERTIFICATIONS/APPROVALS

- NSF 372
- NSF 61-8
- NSF 61 - Annex G
- Conforms to IAPMO PS 117
- Meets ISO 6509

PRESSURE/TEMPERATURE RATING

- 250 WOG
- Max. 250° F

MATERIALS

No.	Part	Material
1	Body	Lead Free Brass - C27453
2	End Connection	Lead Free Brass - C27453
3	Ball	316 Stainless Steel
4	Seat (2)	PTFE G300
5	Stem	316 Stainless Steel
6	Packing	PTFE G300
7	Stem O-Ring (2)	FKM
8	Packing Gland	Brass - C38500
9	Handle	304 Stainless Steel
10	Handle Nut	Steel - Geomet® Plated
11	O-Ring (2)	EPDM

DIMENSIONS

Part No	Size	A	B	C	D	E	Cv
100-203SSG-LH	1/2"	3.54	2.45	3.58	0.59	1.24	16.82
100-204SSG-LH	3/4"	3.84	2.90	4.40	0.79	1.28	34.80
100-205SSG-LH	1"	4.31	3.37	5.20	0.97	1.38	52.20
100-206SSG-LH	1-1/4"	4.80	3.55	5.20	1.23	1.30	112.52
100-207SSG-LH	1-1/2"	5.61	3.93	6.73	1.49	1.50	174.00
100-208SSG-LH	2"	7.16	4.20	6.73	1.99	2.01	255.20