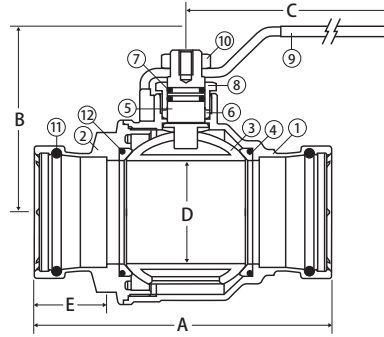


## Brass Ball Valve

2 Piece, Full Port, Press XLC Connection, 200 WOG

### JP-100 XLC



#### FEATURES

- Corrosion Resistant Brass
- Triple Sealing Stem with 2 FKM O-Rings and PTFE G300 Seal
- Blow-Out Proof Stem
- 100% Leak Tested
- 100% Made in Italy
- Leakproof Stem - Lifetime Warranty

#### CERTIFICATIONS/APPROVALS

Conforms to IAPMO PS 117

#### PRESSURE/TEMPERATURE RATING

200 WOG  
Max. 250°F

#### MATERIALS

No.	Part	Material
1	Body	Brass - C35330
2	End Connection	Brass -C35330
3	Ball	Chrome Plated Brass - C37700
4	Seat (2)	PTFE G300
5	Stem	Brass - C35330
6	Packing	PTFE G300
7	Stem O-ring (2)	FKM
8	Packing Gland	Brass - C35330
9	Handle	Steel - Geomet® Plated
10	Handle Nut	Steel - Geomet® Plated
11	O-ring (2)	EPDM
12	O-ring (2)*	EPDM

\*On 3" & 4" Only

#### DIMENSIONS

Part No	Size	A	B	C	D	E	C <sub>v</sub>
100-209XLC	2-1/2"	7.13	4.72	8.00	2.46	1.75	350.32
100-210XLC	3"	8.49	5.31	8.00	2.99	1.92	563.76
100-211XLC	4"	10.79	5.9	9.88	4.00	2.22	879.28



WARNING: This product can expose you to chemicals including lead, which is known to the State of California to cause cancer, birth defects or other reproductive harm. For more information go to [www.P65Warnings.ca.gov](http://www.P65Warnings.ca.gov).