

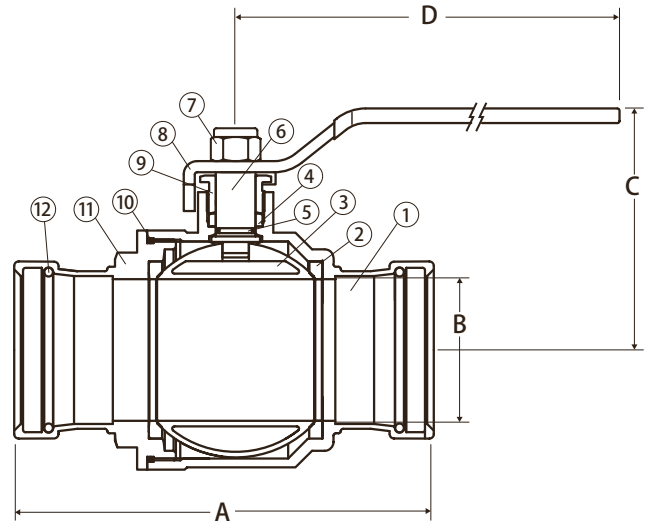
Lead Free Brass Ball Valve



2 Piece • Full Port • Press XLC Connection • Stainless Steel Ball and Stem • 250 WOG



JP-150XLCG



Features

- Dezincification resistant brass
- Gland follower and single o-ring stem design
- Blow-out proof stem
- 100% leak tested
- Wetted surfaces contain less than .25% lead content

Approvals



- NSF 61-8
- NSF 372
- Conforms to IAPMO PS 117
- RoHS Compliant

Pressure/Temperature Rating

- 250 WOG
- Max. 250° F



WARNING: This product can expose you to chemicals including lead, which is known to the State of California to cause cancer, and lead, which is known to the State of California to cause birth defects or other reproductive harm. For more information go to www.P65Warnings.ca.gov.

Material Specifications

No.	Part	Materials
1	Body	Lead Free Brass - C46500
2	Seat	PTFE
3	Ball	Stainless Steel
4	Packing	PTFE
5	O-ring	Buna-N
6	Stem	Stainless Steel
7	Handle Nut	Steel - Chrome Plated
8	Handle	Steel - Chrome Plated
9	Packing Nut	Brass - C37700
10	O-Ring	NBR
11	Cap	Lead Free Brass - C46500
12	O-Ring	EPDM

Dimensions

Part No.	Size	A	B	C	D
150-209XLCG	2-1/2"	7.48	2.52	4.25	7.76
150-210XLCG	3"	8.17	2.89	4.59	8.19
150-211XLCG	4"	9.86	3.84	5.49	9.25