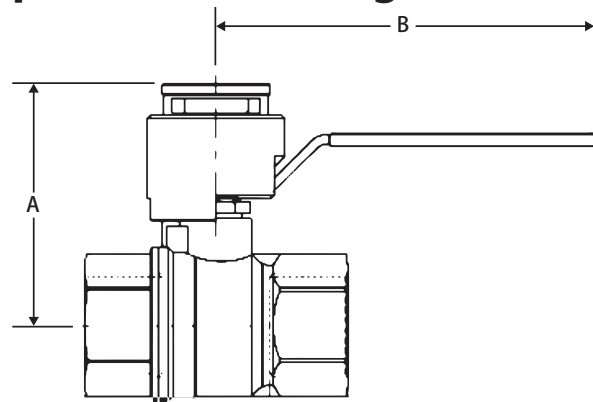


Locking Handle, Spring Loaded Tamper Proof Locking Device



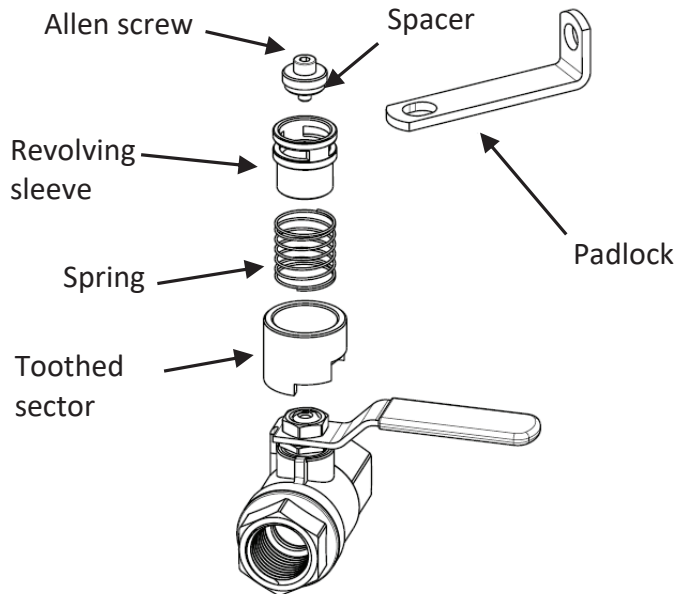
Lift-N-Lock Handle

This Jomar locking device prevents unauthorized use during maintenance or down-time. The locking device is attached over the stem and handle and held in place with an allen screw that is threaded into the center of the stem. With the padlock in place, the allen screw is not accessible, making it a tamper proof design.

Will fit any T-100, S-100 or JP-100 series ball valve.

Dimensions

Part No.	Size	A	B
210-994, 210-994C	1/4", 3/8", 1/2"	1.97	2.95
210-995, 210-995C	3/4"	2.24	3.74
210-996, 210-996C	1", 1-1/4"	2.89	4.72
210-997, 210-997C	1-1/2", 2"	3.90	5.91
210-998, 210-998C	2-1/2", 3"	5.12	7.87
210-999C	4"		



Materials

Locks Both Open & Closed			Locks Only in Closed Position		
Part No.	Size	Type	Part No.	Size	Type
210-994	1/4", 3/8", 1/2"	1	210-994C	1/4", 3/8", 1/2"	1
210-995	3/4"	2	210-995C	3/4"	2
210-996	1", 1-1/4"	3	210-996C	1", 1-1/4"	3
210-997	1-1/2", 2"	4	210-997C	1-1/2", 2"	4
210-998	2-1/2", 3"	5	210-998C	2-1/2", 3"	5
			210-999C	4"	6

Part	Material
Tooth Sector	CW617N
Revolving Sleeve	CW614N
Spring	Stainless Steel
Allen Screw	Steel
Padlock	Steel with Delta Protek Treatment
Spacer	CW614N
Collar	Rubber

WARNING: This product can expose you to chemicals including lead, which is known to the State of California to cause cancer, and lead which is known to the State of California to cause birth defects or other reproductive harm. For more information go to www.P65Warnings.ca.gov.