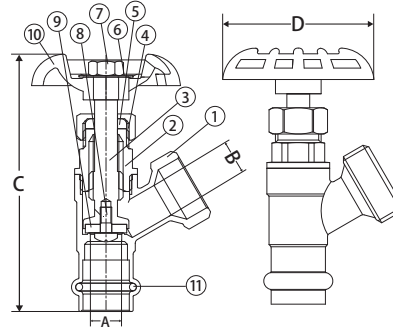


Lead Free Brass Boiler Drain

Press x FIP Connection, 125 WOG

P-623G



FEATURES

Dezincification Resistant Brass Alloy
Wetted Surfaces Contain Less than .25% Lead Content

CERTIFICATIONS/APPROVALS

IAPMO Certified
 - NSF/ANSI/CAN 61
 - NSF/ANSI/CAN 372
 - NSF/CAN 14
 Press End Conforms to IAPMO PS117
 NH Thread Conforms to ANSI B1.20.7
 MSS SP-110

PRESSURE/TEMPERATURE RATING

125 WOG
200°F

MATERIALS

No.	Part	Material
1	Body	Lead Free Brass
2	Cap	Lead Free Brass
3	Stem	Brass
4	Nut	Brass
5	Packing	PTFE
6	Nameplate	Aluminum
7	Handle Nut	Stainless Steel
8	Screw	Brass
9	Sealing Gasket	EPDM
10	Handle	Cast Iron
11	O-Ring	EPDM

DIMENSIONS

Part No	Size	A	B	C	D
201-133G	1/2"	0.43	0.47	3.55	2.05
201-134G	3/4"	0.43	0.47	3.76	2.05