

Lead Free Specialty Valve

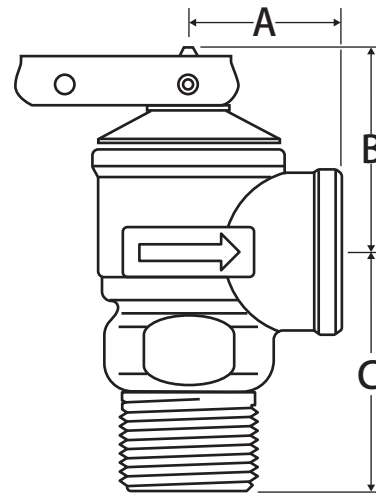


Pressure Relief Valve • 150 PSI • 200,000 BTU



PRV

CRN# 0GG1438.6C



Features

- Reseats after pressure relief
- 100% tested
- Wetted surfaces contain less than .25% lead content

Approvals

- CSA Certified
 - ANSI Z21.22/CSA 4.4 (200,000 BTU/Hr)
- ASME Certified
 - Boiler Code Section IV (500,000 BTU/Hr)
- NBBI Certified
 - NB-18 – Pressure Relief Device

Pressure Rating

- 150 PSI

Material Specifications

No.	Part	Materials
1	Body	Bronze
2	Internal Parts	Brass and Stainless Steel
3	Seat Disc	Silicone
4	Pressure Spring	Stainless Steel

Dimensions

Part No.	Size	A	B	C
203-104G	3/4" MIP x 3/4" FIP	1.16	1.56	1.78



WARNING: This product can expose you to chemicals including lead, which is known to the State of California to cause cancer, and lead, which is known to the State of California to cause birth defects or other reproductive harm. For more information go to www.P65Warnings.ca.gov.