

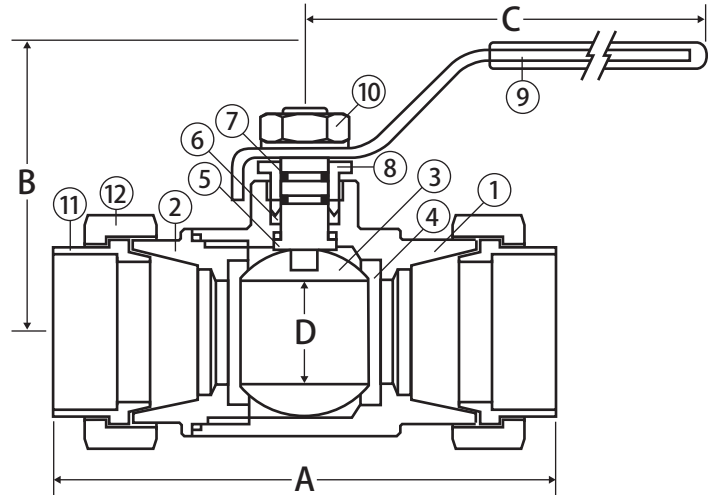
Brass Ball Valve



**2 Piece • Full Port • Double Union End • Solder Connection •
400 WOG**



S-100-DUE



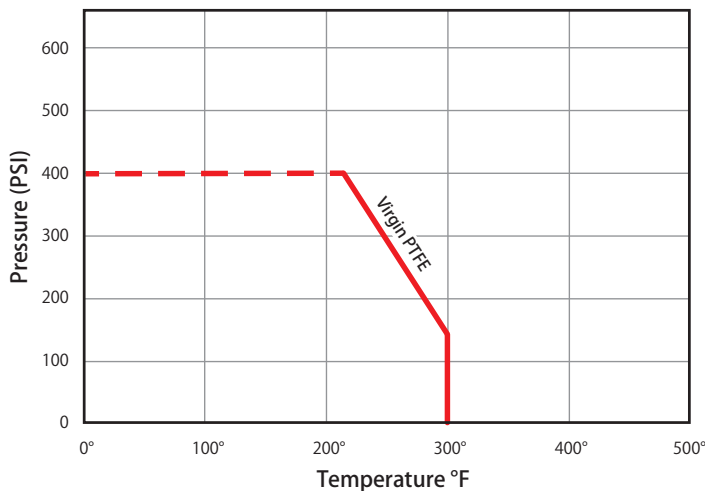
Features

- Triple sealing stem with 2 FKM o-rings and Teflon® seal
- Blow-out proof stem
- Unions on inlet and outlet
- Corrosion resistant brass
- 100% leak tested
- 100% Made in Italy
- Leakproof stem - Lifetime Warranty
- Accessories available

Approvals

- MSS SP-110
- ASME/ANSI B16.18

Valve Seat Rating 400 WOG



Material Specifications

No.	Part	Materials
1	Body	Brass - C35330
2	End Connection	Brass - C35330
3	Ball	Chrome Plated Brass - C37700
4	Seat (2)	Virgin PTFE
5	Stem	Brass - C35330
6	Packing	Virgin PTFE
7	Stem O-ring (2)	FKM
8	Packing Gland	Brass - C35330
9	Handle	Steel - Geomet® Plated
10	Handle Nut	Steel - Geomet® Plated
11	Tail Piece (2)	Brass - C35330
12	Union Nut (2)	Brass - C35330

Dimensions

Part No.	Size	A	B	C	D	Cv
160-503	1/2"	3.58	1.53	2.95	0.59	16.82
160-504	3/4"	3.93	1.92	3.74	0.79	34.80
160-505	1"	4.72	2.40	4.75	0.97	52.20
160-506	1-1/4"	5.27	2.60	4.75	1.23	112.52
160-507	1-1/2"	5.74	3.22	6.00	1.49	174.00
160-508	2"	6.33	3.50	6.00	1.99	255.20

WARNING: This product can expose you to chemicals including lead, which is known to the State of California to cause cancer, and lead, which is known to the State of California to cause birth defects or other reproductive harm. For more information go to www.P65Warnings.ca.gov.

