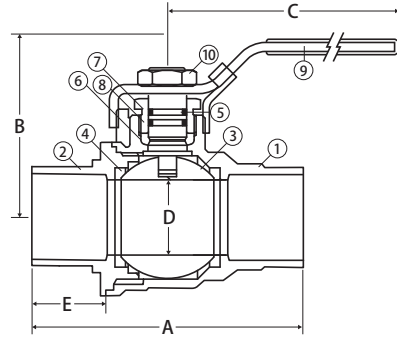


Lead Free Brass Ball Valve

2 Piece, Full Port, Solder Connection, Locking Handle, 600 WOG

S-100CG-LH



FEATURES

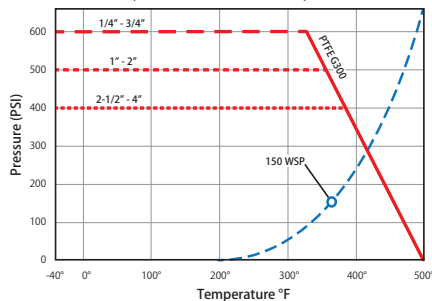
- Dezincification Resistant Brass Alloy 1/2"-4" Valves
- Triple Sealing Stem with 2 FKM O-rings and PTFE G300 Seal
- Blow-out Proof Stem
- 100% Leak Tested
- 100% Made in Italy
- Leakproof Stem - Lifetime Warranty
- 29 in-Hg Vacuum Rating
- Wetted Surfaces Contain Less than .25% Lead Content

CERTIFICATIONS/APPROVALS

- NSF 372
- NSF 61-8
- NSF 61 - Annex G
- ASME/ANSI B16.18
- MSS SP-110
- Meets ISO 6509

VALVE SEAT RATING

1/4" - 3/4" 600 WOG, 1" - 2" 500 WOG, 2-1/2"-4" 400 WOG



MATERIALS

No.	Part	Material
1	Body	Lead Free Brass - C27453
2	End Connection	Lead Free Brass - C27453
3	Ball	T.E.A. Coated Brass - C28500
4	Seat (2)	PTFE G300
5	Stem	Lead Free Brass - C28500
6	Packing	PTFE G300
7	Stem O-ring (2)	FKM
8	Packing Gland	Brass - C38500
9	Handle	304 Stainless Steel
10	Handle Nut	Steel - Geomet® Plated

DIMENSIONS

Part No	Size	A	B	C	D	E	Cv
100-413G-LH	1/2"	2.48	2.46	3.58	0.59	0.51	16.82
100-414G-LH	3/4"	3.26	2.90	4.40	0.79	0.76	34.80
100-415G-LH	1"	3.94	3.36	5.20	0.97	0.92	52.20
100-416G-LH	1-1/4"	4.50	3.43	5.20	1.23	0.98	112.52
100-417G-LH	1-1/2"	5.07	3.89	6.73	1.49	1.10	174.00
100-418G-LH	2"	6.22	4.26	6.73	1.99	1.34	255.20