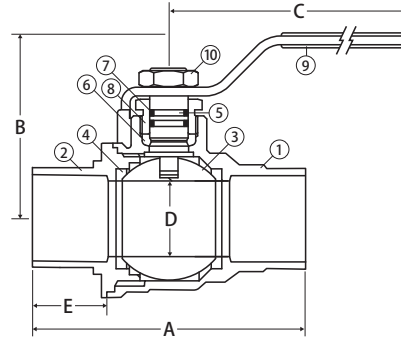


Lead Free Brass Ball Valve

2 Piece, Full Port, Solder Connection, Stainless Steel Trim, 600 WOG

S-100CSSG



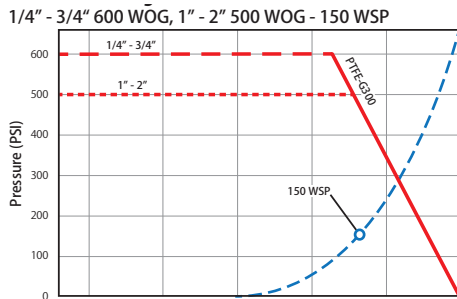
FEATURES

- Dezincification Resistant Brass Alloy
- Triple Sealing Stem with 2 FKM O-Rings and PTFE G300 Seal
- Blow-out Proof Stem
- 100% Leak Tested
- 100% Made in Italy
- Leakproof Stem - Lifetime Warranty
- 29 in-Hg Vacuum Rating
- Wetted Surfaces Contain Less than .25% Lead Content
- Accessories Available

CERTIFICATIONS/APPROVALS

- NSF 372
- NSF 61-8
- NSF 61 - Annex G
- MSS SP-110
- ASME/ANSI B16.18
- Meets ISO 6509

VALVE SEAT RATING



MATERIALS

| No. | Part | Material |
|-----|-----------------|--------------------------|
| 1 | Body | Lead Free Brass - C27453 |
| 2 | End Connection | Lead Free Brass - C27453 |
| 3 | Ball | 316 Stainless Steel |
| 4 | Seat (2) | PTFE G300 |
| 5 | Stem | 316 Stainless Steel |
| 6 | Packing | PTFE G300 |
| 7 | Stem O-Ring (2) | FKM |
| 8 | Packing Gland | Brass - C38500 |
| 9 | Handle | Steel - Geomet® Plated |
| 10 | Handle Nut | Steel - Geomet® Plated |

DIMENSIONS

| Part No | Size | A | B | C | D | E | Cv |
|------------|--------|------|------|------|------|------|--------|
| 100-413SSG | 1/2" | 2.48 | 1.56 | 2.95 | 0.59 | 0.51 | 16.82 |
| 100-414SSG | 3/4" | 3.26 | 2.05 | 3.74 | 0.79 | 0.76 | 34.80 |
| 100-415SSG | 1" | 3.94 | 2.55 | 4.75 | 0.97 | 0.92 | 52.20 |
| 100-416SSG | 1-1/4" | 4.50 | 2.66 | 4.75 | 1.23 | 0.98 | 112.52 |
| 100-417SSG | 1-1/2" | 5.07 | 3.31 | 6.00 | 1.49 | 1.10 | 174.00 |
| 100-418SSG | 2" | 6.22 | 3.60 | 6.00 | 1.99 | 1.34 | 255.20 |



WARNING: This product can expose you to chemicals including lead, which is known to the State of California to cause cancer, birth defects or other reproductive harm. For more information go to www.P65Warnings.ca.gov.