

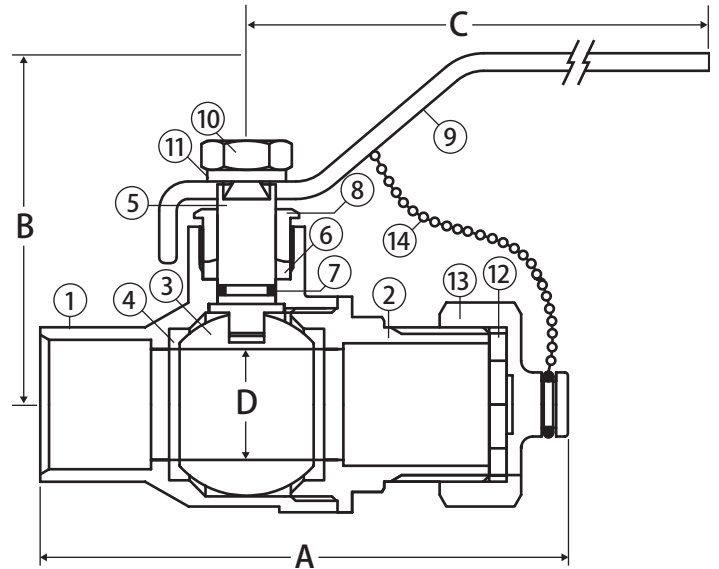
Brass Ball Valve



2 Piece • Full Port • Hose Connection x Solder • 600 WOG • with Cap and Chain



S-100HS



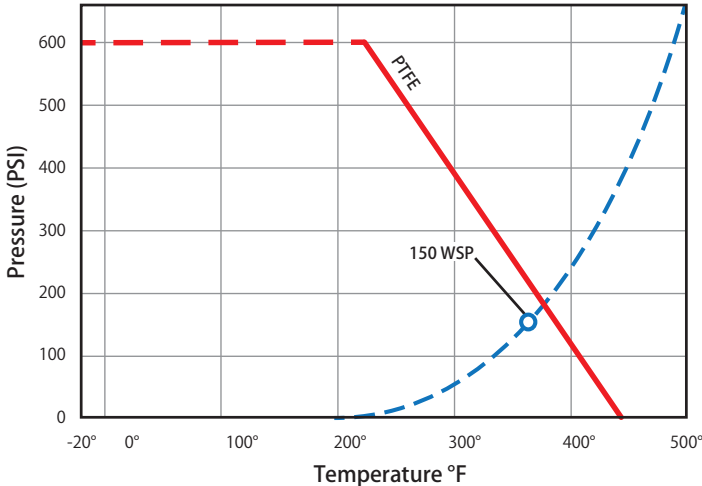
Features

- Cap and chain for easy drain & hose connection
- Heavy steel chain
- 100% leak tested

Approvals

- MSS SP-110
- ASME/ANSI B16.18
- ANSI B1.20.7

**Valve Seat Rating
600 WOG - 150 WSP**



Material Specifications

No.	Part	Materials
1	Body	Brass - C37700
2	End Connection	Brass - C37700
3	Ball	Chrome Plated Brass - C37700
4	Seat (2)	PTFE
5	Stem	Brass - C37700
6	Packing	PTFE
7	Stem O-ring	Buna-N
8	Packing Gland	Brass - C37700
9	Handle	Steel - Chrome Plated
10	Handle Nut	Steel - Chrome Plated
11	Lock Washer	Steel - Chrome Plated
12	Cap Washer	EPDM
13	Cap	Brass - C37700
14	Chain	Steel - Chrome Plated

Dimensions

Part No.	Size	A	B	C	D
100-663	1/2"	3.07	1.48	3.54	0.51
100-664	3/4"	3.54	1.94	4.45	0.75