

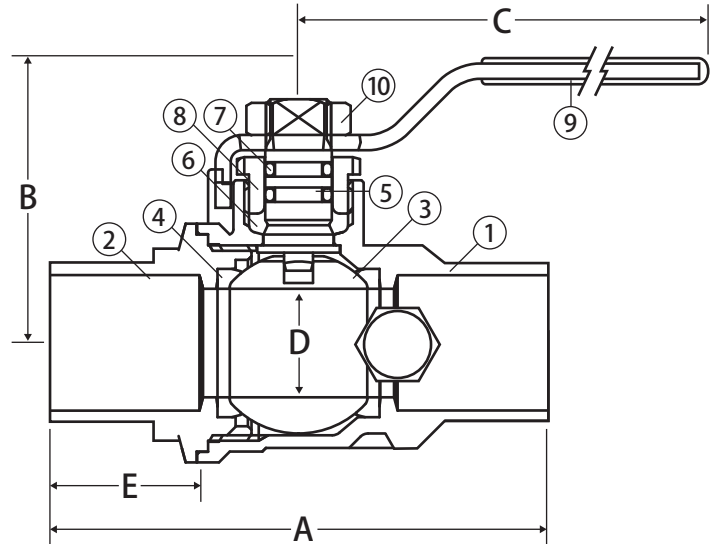
Brass Ball Valve



**2 Piece • Full Port • Solder Connection • 600 WOG •
with Side Tap**



S-100STN



Features

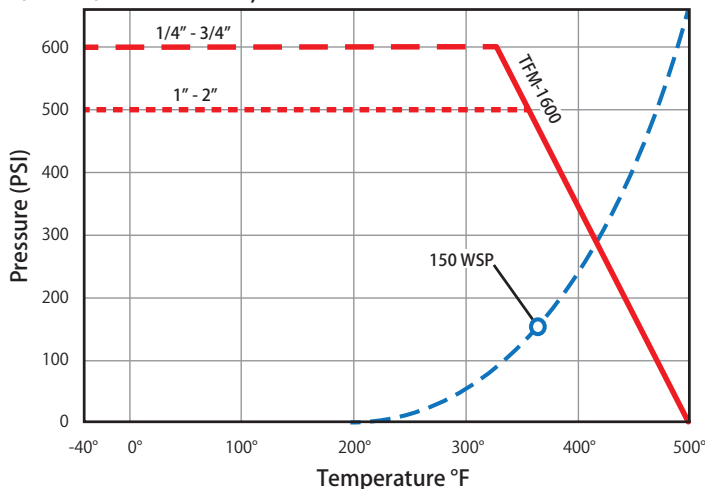
- Blow-out proof stem
- Triple sealing stem with 2 Viton® o-rings and Teflon® seal
- 1/8" side tap
- 100% leak tested
- 100% Made in Italy
- Leakproof stem - Lifetime Warranty
- 29 in-Hg vacuum rating
- Accessories available

Approvals

- MSS SP-110
- ASME/ANSI B16.18

Valve Seat Rating

1/4" - 3/4" 600 WOG, 1" - 2" 500 WOG - 150 WSP



Material Specifications

No.	Part	Materials
1	Body	Brass - CW617N
2	End Connection	Brass - CW617N
3	Ball	Chrome Plated Brass - CW617N
4	Seat (2)	PTFE G300
5	Stem	Brass - CW614N
6	Packing	PTFE G300
7	Stem O-ring (2)	FKM
8	Packing Gland	Brass - CW614N
9	Handle	Steel - Geomet® Plated
10	Handle Nut	Steel - Geomet® Plated
11	Flat Washer*	Buna-N
12	Cap*	Brass - CW614N

*Not shown in drawing

Dimensions

Part No.	Size	A	B	C	D	E	Cv
100-823	1/2"	2.48	1.56	2.95	0.59	0.51	16.82
100-824	3/4"	3.26	2.05	3.74	0.79	0.76	34.80
100-825	1"	3.94	2.55	4.75	0.97	0.92	52.20