

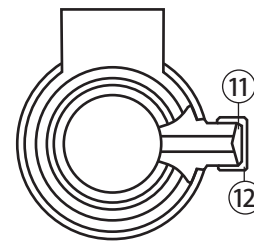
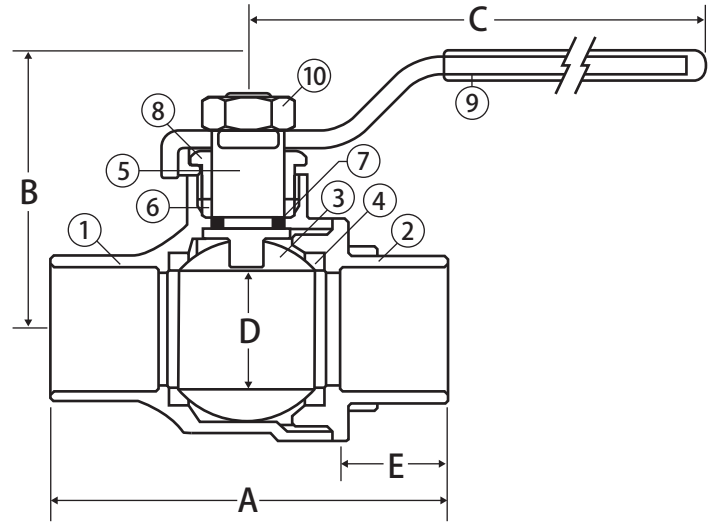
# Brass Ball Valve



**2 Piece • Full Port • Solder Connection • 600 WOG • with Drain**



**S-110**



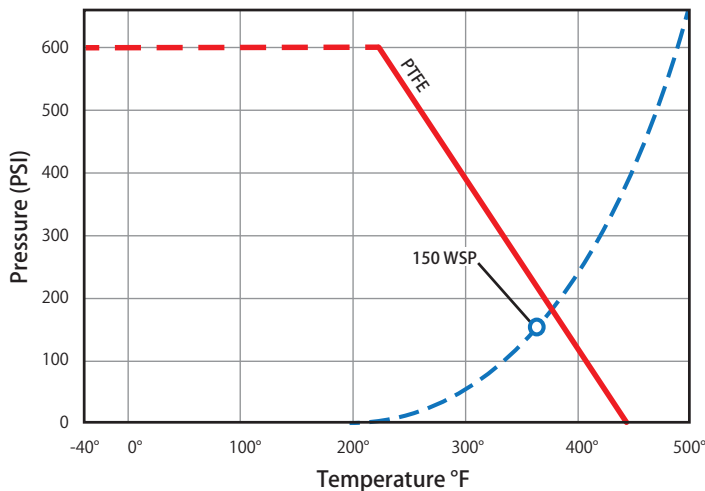
## Features

- Gland follower and single o-ring stem design
- Blow-out proof stem
- Drain feature prevents freeze-up
- 100% leak tested

## Approvals

- MSS SP-110
- ASME/ANSI B16.18

## Valve Seat Rating 600 WOG - 150 WSP



## Material Specifications

No.	Part	Materials
1	Body	Brass - C46400
2	End Connection	Brass - C46400
3	Ball	304 Stainless Steel
4	Seat (2)	PTFE
5	Stem	Brass - C46400
6	Packing	PTFE
7	Stem O-ring	Buna-N
8	Packing Gland	Brass - C46400
9	Handle	Steel - Chrome Plated
10	Handle Nut	Steel - Chrome Plated
11	Flat Washer	Buna-N
12	Bleeder Cap	Brass - C46400

## Dimensions

Part No.	Size	A	B	C	D	E
100-643	1/2"	2.28	1.81	3.35	0.59	0.50
100-644	3/4"	2.52	2.36	4.29	0.75	0.75
100-645	1"	2.97	2.52	4.29	0.98	0.86