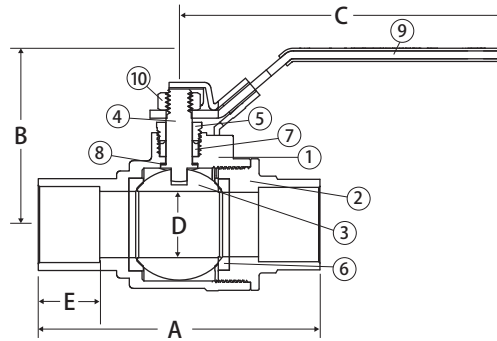


Bronze Ball Valve

2 Piece, Full Port, Solder Connection, Stainless Steel Trim, Locking Handle, 600 CWP, 150 WSP

S-200CSS-LH



FEATURES

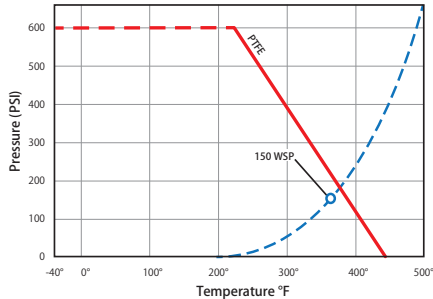
- Dezincification Resistant Bronze
- Blow-Out Proof Stem
- Heavy Commercial Pattern
- 100% Leak Tested
- 29 in-Hg Vacuum Rating

CERTIFICATIONS/APPROVALS

- ASME/ANSI B16.18
- Meets MSS SP-110

VALVE SEAT RATING

600 CWP - 150 WSP



MATERIALS

No.	Part	Material
1	Body	Bronze - C84400
2	Tailpiece	Bronze - C84400
3	Ball	Stainless Steel 316
4	Stem	Stainless Steel 316
5	Packing Nut	Brass - C36000
6	Seat (2)	PTFE
7	Packing Gland	PTFE
8	Thrust Washer	PTFE
9	Handle	Stainless Steel 304
10	Handle Nut	Stainless Steel 304

DIMENSIONS

Part No	Size	A	B	C	D	E
200-803-LH	1/2"	2.59	2.01	3.97	0.50	0.50
200-804-LH	3/4"	3.36	2.46	4.78	0.75	0.75
200-805-LH	1"	4.19	2.62	4.78	0.98	0.91
200-806-LH	1-1/4"	4.46	2.79	7.04	1.24	0.97
200-807-LH	1-1/2"	4.97	4.10	7.04	1.50	1.09
200-808-LH	2"	6.02	4.40	7.04	1.97	1.34