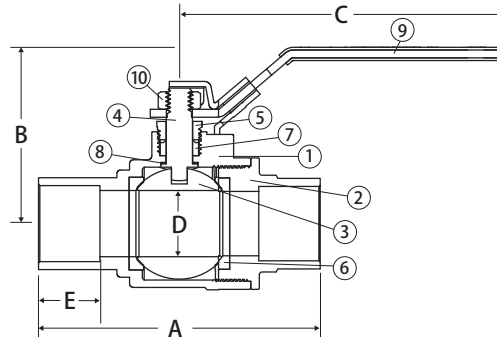


Lead Free Bronze Ball Valve

2 Piece, Full Port, Solder Connection, Stainless Steel Trim, Locking Handle, 600 CWP

S-200CSSG-LH



FEATURES

- Dezincification Resistant Lead Free Bronze
- Blow-Out Proof Stem
- Heavy Commercial Pattern
- 100% Leak Tested
- IAPMO Certified: NSF 61 & NSF 372 & NSF 14
- 29 in-Hg Vacuum Rating
- Wetted Surfaces Contain Less than .25% Lead Content

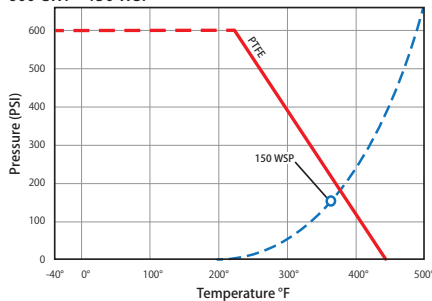
CERTIFICATIONS/APPROVALS

- *IAPMO Certified
 - NSF/ANSI/CAN 61-8 2018
 - NSF/ANSI 372-2016
 - IAPMO/ANSI Z1157-2014
 - ASME A112.4.14/CSA B125.14:22
 - NSF/ANSI 14-2016

ASME/ANSI B16.18
Meets MSS SP-110

VALVE SEAT RATING

600 CWP - 150 WSP



MATERIALS

No.	Part	Material
1	Body	Lead Free Bronze - C89836
2	Tailpiece	Lead Free Bronze - C89836
3	Ball	Stainless Steel 316
4	Stem	Stainless Steel 316
5	Packing Nut	Brass - C36000
6	Seat (2)	PTFE
7	Packing Gland	PTFE
8	Thrust Washer	PTFE
9	Handle	Stainless Steel 304
10	Handle Nut	Stainless Steel 304

DIMENSIONS

Part No	Size	A	B	C	D	E
200-413SSG-LH	1/2"	2.59	2.01	3.97	0.50	0.50
200-414SSG-LH	3/4"	3.36	2.46	4.78	0.75	0.75
200-415SSG-LH	1"	4.19	2.62	4.78	0.98	0.91
200-416SSG-LH	1-1/4"	4.46	2.79	7.04	1.24	0.97
200-417SSG-LH	1-1/2"	4.97	4.10	7.04	1.50	1.09
200-418SSG-LH	2"	6.02	4.40	7.04	1.97	1.34
200-419SSG-LH	2-1/2"	7.21	5.85	8.06	2.50	1.48
200-420SSG-LH	3"	8.00	6.20	8.06	2.99	1.66