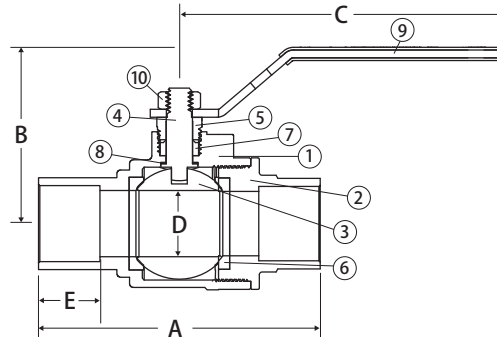


# Lead Free Bronze Ball Valve

2 Piece, Full Port, Solder Connection, Stainless Steel Trim, 600 CWP

## S-200CSSG



### FEATURES

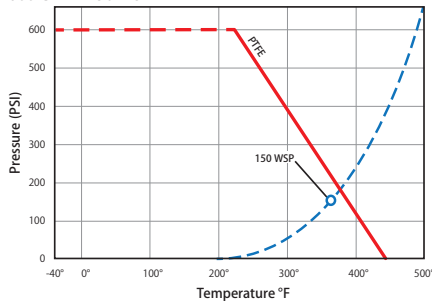
- Dezincification Resistant Lead Free Bronze
- Blow-Out Proof Stem
- Heavy Commercial Pattern
- 100% Leak Tested
- IAPMO Certified: NSF 61 & NSF 372 & NSF 14
- 29 in-Hg Vacuum Rating
- Wetted Surfaces Contain Less than .25% Lead Content
- Accessories Available

### CERTIFICATIONS/APPROVALS

- IAPMO Certified
  - NSF/ANSI/CAN 61-8 2018
  - NSF/ANSI 372-2016
  - IAPMO/ANSI Z1157-2014
  - ASME A112.4.14/CSA B125.14:22
  - NSF/ANSI 14-2016
- ASME/ANSI B16.18
- Meets MSS SP-110

### VALVE SEAT RATING

600 CWP - 150 WSP



### MATERIALS

No.	Part	Material
1	Body	Lead Free Bronze - C89836
2	Tailpiece	Lead Free Bronze - C89836
3	Ball	Stainless Steel 316
4	Stem	Stainless Steel 316
5	Packing Nut	Brass - C36000
6	Seat (2)	PTFE
7	Packing Gland	PTFE
8	Thrust Washer	PTFE
9	Handle	Stainless Steel 304
10	Handle Nut	Stainless Steel 304

### DIMENSIONS

Part No	Size	A	B	C	D	E	Cv
200-413SSG	1/2"	2.59	2.01	3.97	0.50	0.50	16.82
200-414SSG	3/4"	3.36	2.46	4.78	0.75	0.75	34.80
200-415SSG	1"	4.19	2.62	4.78	0.98	0.91	52.20
200-416SSG	1-1/4"	4.46	2.79	7.04	1.24	0.97	112.52
200-417SSG	1-1/2"	4.97	4.10	7.04	1.50	1.09	174.00
200-418SSG	2"	6.02	4.40	7.04	1.97	1.34	255.20
200-419SSG	2-1/2"	7.21	5.85	8.06	2.50	1.48	563.76
200-420SSG	3"	8.00	6.20	8.06	2.99	1.66	879.28