

Lead Free Bronze Gate Valve

Rising Stem • Solder Connection • 300 CWP



S-351G

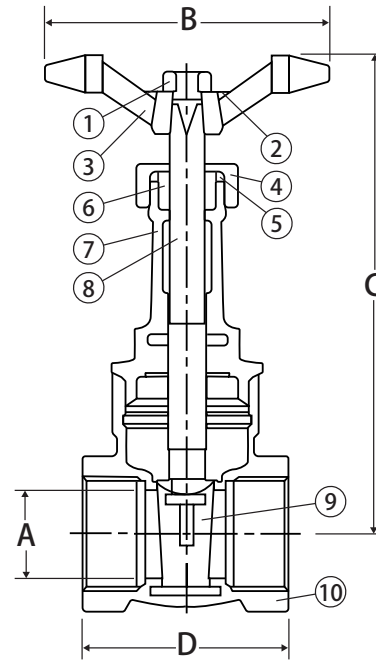
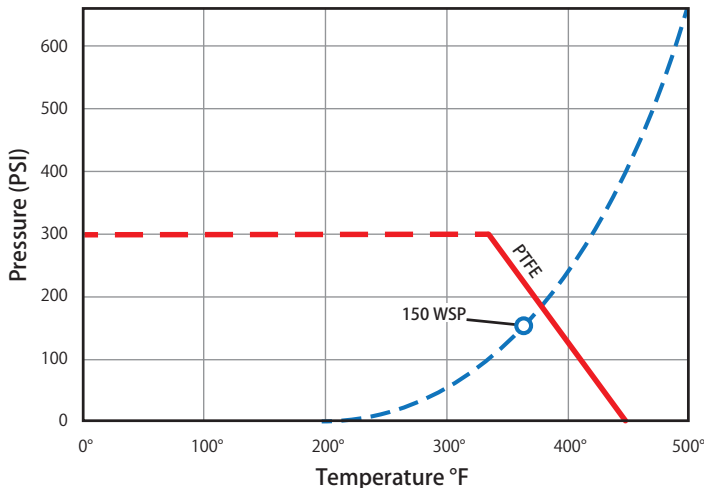
Features

- Solid wedge gate with rising stem
- Wetted surfaces contain less than .25% lead content
- Dezincification Resistant

Approvals

- Truesdail Certified NSF/ANSI/CAN 61 & 372
- MSS SP-25

Pressure Rating 300 WOG - 150 WSP



Material Specifications

No.	Part	Materials
1	Handle Nut	Steel
2	Name Plate	Aluminum
3	Hand Wheel	Cast Iron
4	Packing Nut	Brass Rod - C37700
5	Gland Packing	Brass Rod - C37700
6	Packing	PTFE
7	Bonnet	Cast Bronze - C89844
8	Stem	Brass Rod - C46400
9	Disc	Cast Bronze - C89844
10	Body	Cast Bronze - C89844

Dimensions

Part No.	Size	A	B	C	D
103-453G	1/2"	0.51	2.05	3.76	1.80
103-454G	3/4"	0.75	2.26	4.47	2.32
103-455G	1"	0.98	2.76	5.38	2.76
103-456G	1-1/4"	1.25	3.15	6.34	3.03
103-457G	1-1/2"	1.50	3.74	6.96	3.37
103-458G	2"	1.97	3.74	8.54	4.07



WARNING: This product can expose you to chemicals including lead, which is known to the State of California to cause cancer, and lead, which is known to the State of California to cause birth defects or other reproductive harm. For more information go to www.P65Warnings.ca.gov.