

Brass Ball Valve



3 Piece 4 Bolt • Full Port • Brazed Connection • 600 WOG



S-600-4B

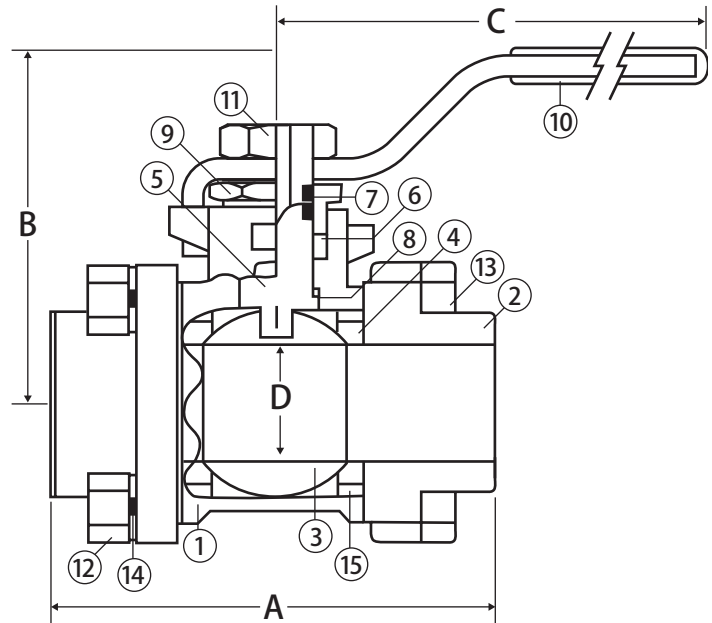
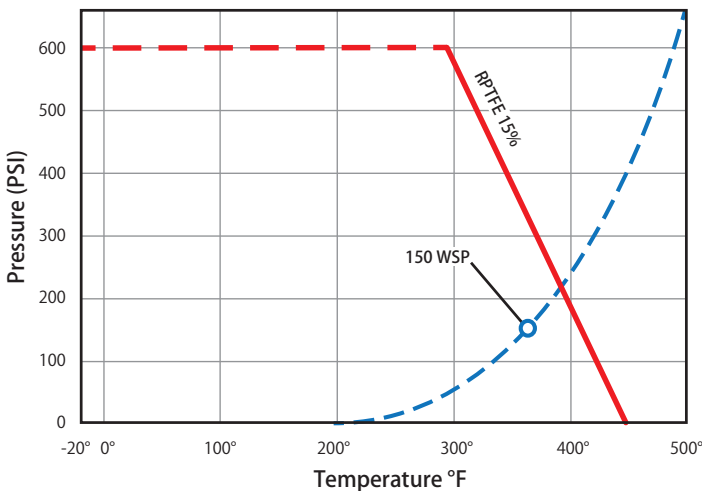
Features

- Latch lock handle standard
- 3 piece swing out body
- Body should be swung out during brazing process
- 100% leak tested

Approvals

- MSS SP-110
- ASME/ANSI B16.18

Valve Seat Rating 600 WOG - 150 WSP



Material Specifications

No.	Part	Materials
1	Body	Brass - C37000
2	End Cap (2)	Brass - C37000
3	Ball	Chrome Plated Brass - C3600
4	Seat (2)	RPTFE - 15%
5	Stem	Brass - C3600
6	Packing	RPTFE - 15%
7	O-Ring (2)	Viton®
8	Stem Seal	RPTFE - 15%
9	Packing Gland	Brass - C3600
10	Handle	Steel - Nickel Plated
11	Handle Nut	Steel - Nickel Plated
12	Body Bolt (4)	Steel - Nickel Plated
13	Body Nut (4)	Steel - Nickel Plated
14	Lock Washer (8)	Steel - Nickel Plated
15	Body Seal	RPTFE - 15%

Dimensions

Part No.	Size	A	B	C	D	Torque
500-613	1/2"	2.62	1.81	2.87	0.59	22
500-614	3/4"	2.93	2.40	4.67	0.79	
500-615	1"	3.44	2.52	4.67	0.99	55
500-616	1-1/4"	3.96	3.11	5.86	1.26	95
500-617	1-1/2"	4.43	3.27	5.86	1.50	120
500-618	2"	5.55	3.62	7.87	1.97	340

WARNING: This product can expose you to chemicals including lead, which is known to the State of California to cause cancer, and lead, which is known to the State of California to cause birth defects or other reproductive harm. For more information go to www.P65Warnings.ca.gov.

