

Stainless Steel Ball Valve



3 Piece 4 Bolt Enclosed • Standard Port • Socket Weld • Stainless Steel Trim • 2000 WOG



S-SS-2001N-4B

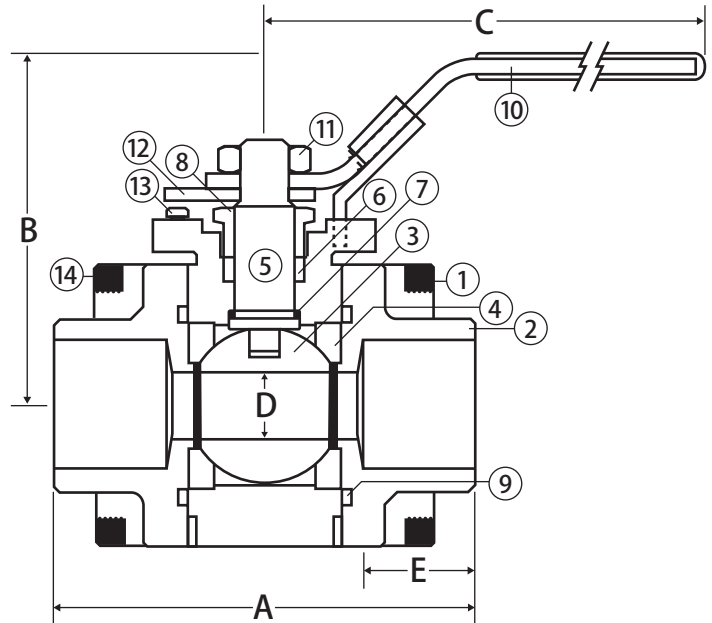
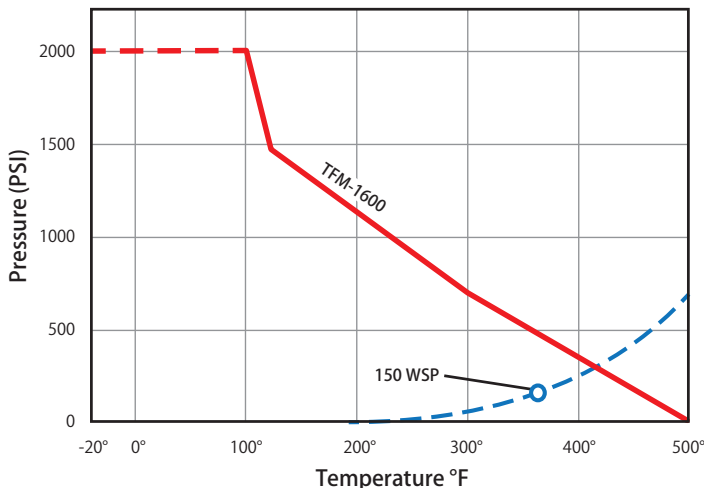
Features

- Solid Ball Construction
- Latch Lock Handle May be Locked in Open or Closed Position
- Blow-Out Proof Stem
- 100% Leak Tested
- 29 in-Hg Vacuum Rating
- Wetted Surfaces Contain Less than .25% Lead Content
- Repair Kits Available

Approvals

- Conforms to API 598
- MSS SP-110, SP-61, SP-82
- NACE Certified
- ASME B16.34 (1/2" - 1-1/4")
- ANSI B16.11
- Buy American Act Compliant

Valve Seat Rating 2000 WOG - 150 WSP



Material Specifications

No.	Part	Materials
1	Body	CF8M Stainless Steel
2	End Cap (2)	CF8M Stainless Steel
3	Ball	CF8M Stainless Steel
4	Seat (2)*	Hostaflo [®] TFM 1600
5	Stem	316 Stainless Steel
6	Packing (2)	RPTFE
7	Stem Seal*	Hostaflo [®] TFM 1600
8	Packing Gland*	304 Stainless Steel
9	Body Seal (2)*	Hostaflo [®] TFM 1600
10	Handle	304 Stainless Steel
11	Handle Nut	304 Stainless Steel
12	Stop Plate	304 Stainless Steel
13	Lock Pin	304 Stainless Steel
14	Body Bolt (8)	A193-B8 Stainless Steel

*Included in repair kit

Dimensions

Part No.	Size	A	B	C	D	E	Torque
601-623	1/2"	2.72	2.47	4.15	0.43	0.38	85
601-624	3/4"	2.94	2.70	4.15	0.55	0.50	150
601-625	1"	3.50	3.19	5.00	0.81	0.50	180
601-626	1-1/4"	3.90	3.64	5.98	0.98	0.50	210
601-627	1-1/2"	4.42	3.88	7.76	1.25	0.50	320
601-628	2"	5.04	4.09	7.76	1.50	0.62	440

WARNING: This product can expose you to chemicals including diisononyl phthalate (DINP), which is known to the State of California to cause cancer, and diisononyl phthalate (DINP), which is known to the State of California to cause birth defects or other reproductive harm. For more information go to www.P65Warnings.ca.gov.