

Designer Series Basket Strainer



Twist-N-Loc® | Sink Strainer, Chrome Plated Brass or 300 Grade Brushed Stainless Steel

DESIGNERS SERIES

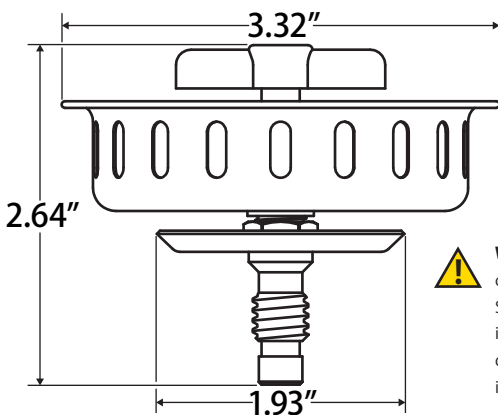


SS-304

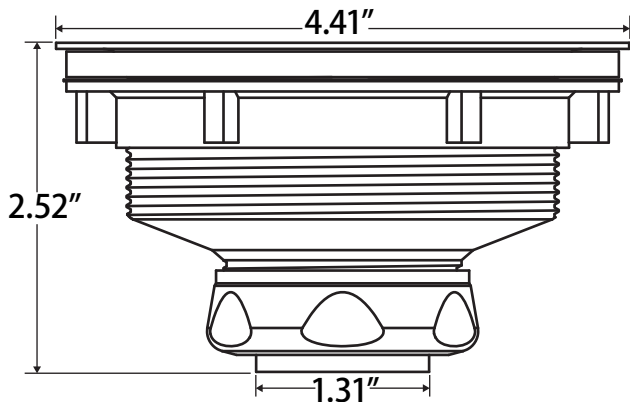


Manufactured with the highest quality materials, the Twist-N-Loc® creates a positive metal-to-metal leak-proof seal with a simple twist. The Twist-N-Loc® starts with a high quality brass body, hand knob, and post. Every Twist-N-Loc® comes standard with a high quality stainless steel basket and a brass tail nut. To satisfy every application need, this contractor favorite is offered in chrome plated brass or brushed stainless steel finishes.

Fits sinks which have a thickness between 1/16" and 3/4"



WARNING: This product can expose you to chemicals including lead, which is known to the State of California to cause cancer, and lead, which is known to the State of California to cause birth defects or other reproductive harm. For more information go to www.P65Warnings.ca.gov.



No.	Materials		
	300-001	300-003	300-023CLAM*
1	Handle		
2	Strainer Basket		
3	Body		
4	Rubber Washer		
5	Lock Nut		
6	Seal Ring		
7	Tail Nut		

*Sold in a clamshell package shown above
Note: All models include friction ring