

Desinger Series Basket Strainer



DESIGNERS SERIES

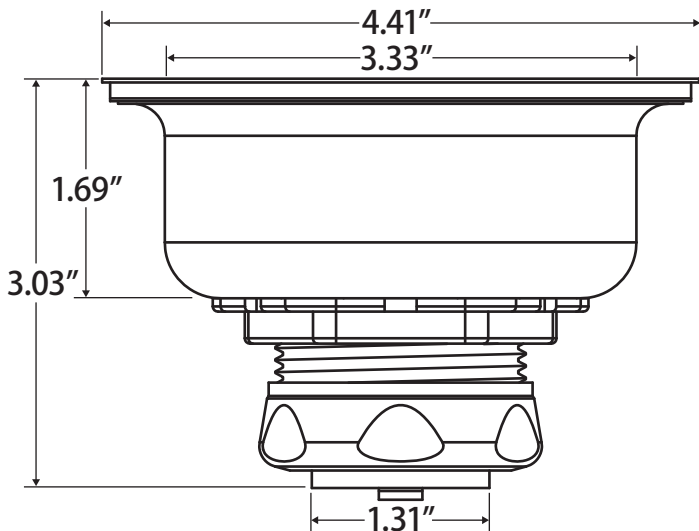
Mag-Na-Loc™ | Sink Strainers, 300 Grade Stainless Steel



SS-420

The Mag-Na-Loc™ provides an innovative user-friendly design with a magnet inside the rubber stopper. The original design sets this strainer apart from all others, while providing a leak-proof seal every time. Each strainer starts with a high quality stainless steel body, stainless steel basket, brass tail nut, and a chrome plated hand knob and povst.

Fits sinks which have a thickness between 1/16" and 3/4"



No.	Materials
	300-011
1	Handle Chrome Plated Brass
2	Strainer Basket SS304
3	Body Polished SS304
4	Rubber Washer BUNA-N
5	Cup Polished Galvanized Steel
6	Lock Nut Zinc
7	Seal Ring Polyethylene
8	Tail Nut Brass

Note: Includes friction ring



WARNING: This product can expose you to chemicals including lead, which is known to the State of California to cause cancer, and lead, which is known to the State of California to cause birth defects or other reproductive harm. For more information go to www.P65Warnings.ca.gov.