

Designer Series Basket Strainer

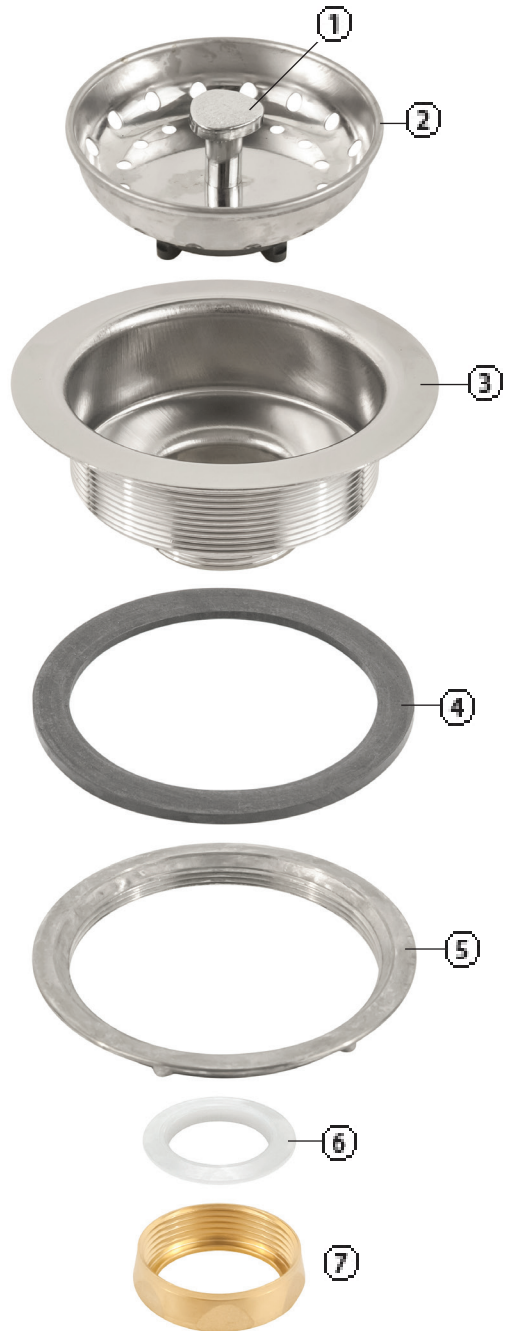
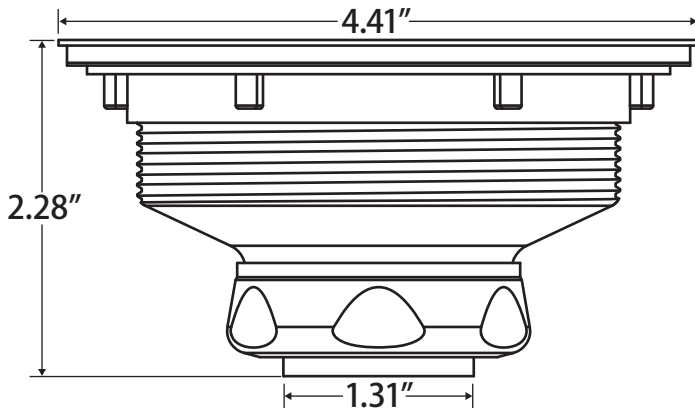
Snap-N-Seal® | Sink Strainer, 400 Grade Stainless Steel



SS-430

The Snap 'N Seal® is a high quality economic designer series choice that seals with a simple rubber stopper design. Both the body and basket are constructed of stainless steel, while the hand knob is chrome plated ABS plastic. It comes standard with a brass tail nut and a large zinc lock nut.

Fits sinks which have a thickness between 1/16" and 3/4"



WARNING: This product can expose you to chemicals including lead, which is known to the State of California to cause cancer, and lead, which is known to the State of California to cause birth defects or other reproductive harm. For more information go to www.P65Warnings.ca.gov.

No.	Materials
	300-013
1	Handle
2	Strainer Basket
3	Body
4	Rubber Washer
5	Lock Nut
6	Seal Ring
7	Tail Nut

Note: Includes friction ring