

# Lead Free Brass Ball Valve



2 Piece • Full Port • Threaded Connection • 600 WOG



**T-100CG**

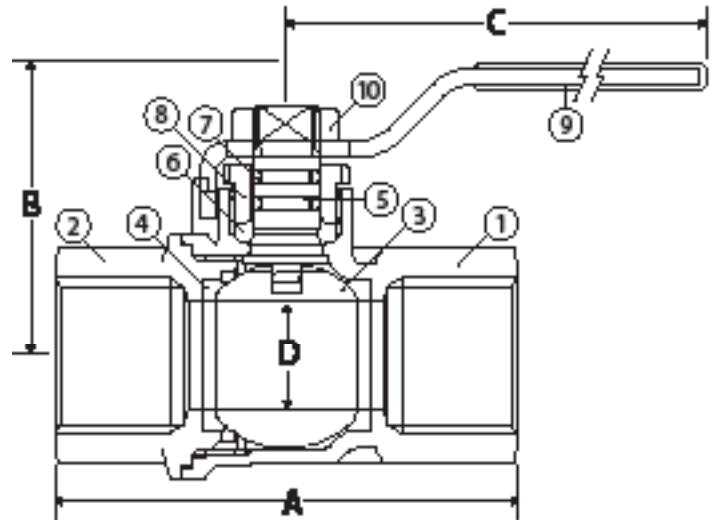
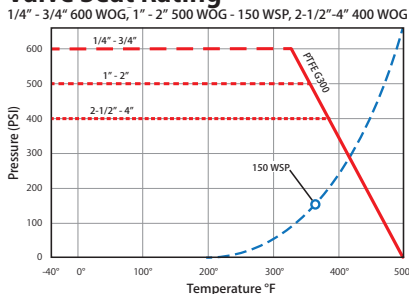
## Features

- Dezincification resistant brass alloy
- Triple sealing stem with 2 FKM o-rings and PTFE G300 seal
- Blow-out proof stem
- 100% leak tested
- 100% Made in Italy
- NSF 61 / NSF 372 Certified
- Leakproof stem - Lifetime Warranty
- 29 in-Hg vacuum rating
- Wetted surfaces contain less than .25% lead content

## Approvals

- NSF/ANSI/CAN 61-G
- CSA Certified
  - ANSI Z21.15 (.5 PSIG)
  - ASME B16.44 (5 PSIG)
  - CGA CR91 (5 PSIG)
- Threads according to ANSI B1.20.1
- Meets MSS SP-110
- Meets ISO 6509

## Valve Seat Rating



## Material Specifications

No.	Part	Materials
1	Body	Lead Free Brass - CW511L
2	End Connection	Lead Free Brass - CW511L
3	Ball	T.E.A. Coated Brass - CW510L
4	Seat (2)	PTFE G300
5	Stem	Lead Free Brass - CW510L
6	Packing	PTFE G300
7	Stem O-ring (2)	FKM
8	Packing Gland	Brass - CW614N
9	Handle	Steel - Geomet® Plated
10	Handle Nut	Steel - Geomet® Plated

## Dimensions

Part No.	Size	A	B	C	D	Cv
100-403G	1/2"	2.45	1.53	2.95	0.59	16.82
100-404G	3/4"	2.71	1.95	3.74	0.79	34.80
100-405G	1"	3.30	2.40	4.75	0.97	52.20
100-406G	1-1/4"	3.80	2.59	4.75	1.23	112.52
100-407G	1-1/2"	4.16	3.22	6.00	1.49	174.00
100-408G	2"	5.00	3.40	6.00	1.99	255.20
100-409G*	2-1/2"	6.06	4.60	8.00	2.46	350.32
100-410G*	3"	7.08	4.90	8.00	2.99	563.76
100-411G*	4"	8.57	5.90	9.88	4.00	879.28



**WARNING:** This product can expose you to chemicals including lead, which is known to the State of California to cause cancer, and lead, which is known to the State of California to cause birth defects or other reproductive harm. For more information go to [www.P65Warnings.ca.gov](http://www.P65Warnings.ca.gov).

