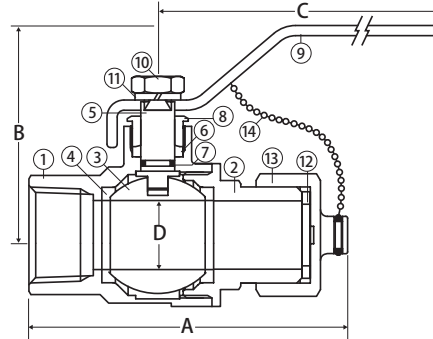


Lead Free Brass Ball Valve

2 Piece, Full Port, Threaded x Hose Connection with Cap and Chain, Stainless Steel Trim, 600 WOG

T-100HFG



FEATURES

- Dezincification Resistant Brass Alloy
- Gland Follower and Single O-Ring Stem Design
- Cap and Chain for Easy Drain and Hose Connection
- Heavy Steel Chain
- Blow-Out Proof Stem
- 100% Leak Tested
- IAPMO Certified - NSF 61 & NSF 372
- Wetted Surfaces Contain Less than .25% Content

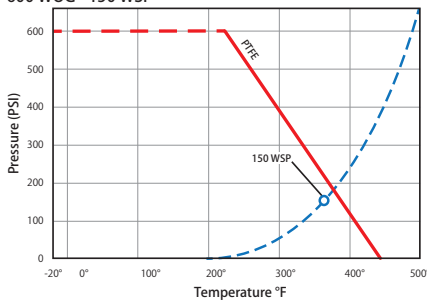
CERTIFICATIONS/APPROVALS

- IAPMO Certified
 - NSF 61-8
 - NSF 372
 - Uniform Plumbing Code (cUPC)
 - IAPMO/ANSI Z1157-2014
 - NSF/ANSI 14-2014

ANSI B1.20.1
ANSI B1.20.7

VALVE SEAT RATING

600 WOG - 150 WSP



MATERIALS

No.	Part	Material
1	Body	Lead Free Brass - C46500
2	End Connection	Lead Free Brass - C46500
3	Ball	304 Stainless Steel
4	Seat (2)	PTFE
5	Stem	304 Stainless Steel
6	Packing	PTFE
7	Stem O-ring	Buna-N
8	Packing Gland	Lead Free Brass - C46500
9	Handle	Steel - Chrome Plated
10	Handle Nut	Steel - Chrome Plated
11	Lock Washer	Steel - Chrome Plated
12	Cap Washer	EPDM
13	Cap	Lead Free Brass - C46500
14	Chain	Steel - Chrome Plated

DIMENSIONS

Part No	Size	A	B	C	D
100-653G	1/2" x 3/4" Hose	3.15	1.48	3.54	0.51
100-654G	3/4" x 3/4" Hose	3.43	1.94	4.45	0.75