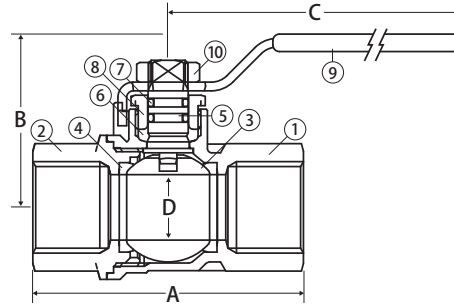


Brass Ball Valve

2 Piece, Full Port, Threaded Connection, Stainless Steel Trim, 600 WOG

T-100SSE



FEATURES

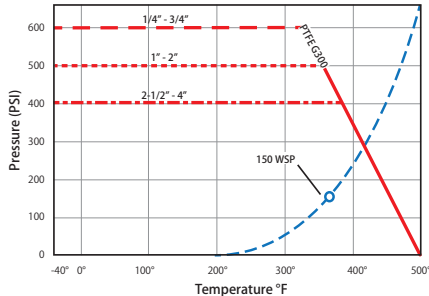
- T.E.A. Ternary Eco Alloy® Coated Body, which Prevents Dezincification and Galvanic Corrosion
- Triple Sealing Stem with 2 FKM O-Rings and 2nd Generation PTFE Seal
- Blow-Out Proof Stem
- 100% Leak Tested
- 100% Made in Italy
- Leakproof Stem - Lifetime Warranty
- 29 in-Hg Vacuum Rating
- Accessories Available

CERTIFICATIONS/APPROVALS

- CSA Certified
 - ASME B16.33 (125 PSIG) (1/2" - 2")
 - CGA 3.16 (125 PSIG) (1/4" - 2")
- ANSI B1.20.1
- FM Approval (1/4" - 3/4" 600 WOG, 1" - 2" 500 WOG)
- MSS SP-110

VALVE SEAT RATING

1/4" - 3/4" 600 WOG, 1-2" 500 WOG, 2-1/2" - 4" 400 WOG - 150 WSP



MATERIALS

No.	Part	Material
1	Body	T.E.A. Coated Brass - C37700
2	End Connection	T.E.A. Coated Brass - C37700
3	Ball	316 Stainless Steel
4	Seat (2)	PTFE G300
5	Stem	316 Stainless Steel
6	Packing	PTFE G300
7	Stem O-Ring (2)	FKM
8	Packing Gland	Nickel Plated Brass - C38500
9	Handle	Steel - Geomet® Plated
10	Handle Nut	Steel - Geomet® Plated

DIMENSIONS

Part No	Size	A	B	C	D	E
100-501	1/4"	1.86	1.41	2.95	0.39	7.66
100-502	3/8"	1.86	1.41	2.95	0.39	7.77
100-503	1/2"	2.45	1.53	2.95	0.59	16.82
100-504	3/4"	2.71	1.95	3.74	0.79	34.80
100-505	1"	3.30	2.40	4.75	0.97	52.20
100-506	1-1/4"	3.80	2.59	4.75	1.23	112.52
100-507	1-1/2"	4.16	3.22	6.00	1.49	174.00
100-508	2"	5.00	3.40	6.00	1.99	255.20
100-509	2-1/2"	6.06	4.60	8.00	2.46	350.32
100-510	3"	7.08	4.90	8.00	2.99	563.76



WARNING: This product can expose you to chemicals including lead, which is known to the State of California to cause cancer, birth defects or other reproductive harm. For more information go to www.P65Warnings.ca.gov.