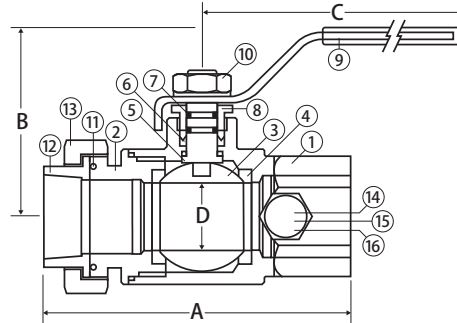


Brass Ball Valve

2 Piece, Full Port, Threaded Connection with Side Tap, Single Union End, 600 WOG

T-100UE



FEATURES

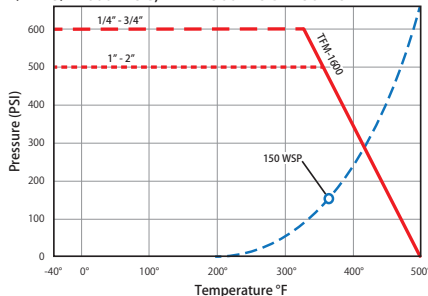
- Triple Sealing Stem with 2 FKM O-Rings and PTFE G300 Seal FIP x Union FIP
- 1/2" has 1/8" FIP Side Tap
- 3/4" - 2" have 1/4" FIP Side Tap
- Blow-Out Proof Stem
- 100% Leak Tested
- 100% Made in Italy
- Leakproof Stem - Lifetime Warranty
- 29 in-Hg Vacuum Rating
- Accessories Available

CERTIFICATIONS/APPROVALS

- CSA Certified
 - ANSI Z21.15 (.5 PSIG) (1/2" - 2")
 - ASME B16.33 (125 PSIG) (1/2" - 2")
 - CGA 3.16 (125 PSIG) (1/2" - 2")
 - CGA 9.2 (1/2" - 2")
- MSS SP-110
- ANSI B1.20.1

VALVE SEAT RATING

1/4" - 3/4" 600 WOG, 1" - 2" 500 WOG - 150 WSP



MATERIALS

No.	Part	Material
1	Body	Brass - C37700
2	End Connection	Brass - C37700
3	Ball	Chrome Plated Brass - C37700
4	Seat (2)	PTFE G300
5	Stem	Brass - C38500
6	Packing	PTFE G300
7	Stem O-ring (2)	FKM
8	Packing Gland	Brass - C38500
9	Handle	Steel - Geomet® Plated
10	Handle Nut	Steel - Geomet® Plated
11	Union O-ring	FKM
12	Tail Piece	Brass - C37700
13	Union Nut	Brass - C37700
14	Side Tap Plug	Brass - C38500
15	Side Tap Washer	Buna-N
16	Side Tap Cap	Brass - C38500

DIMENSIONS

Part No	Size	A	B	C	D	C _v
160-103	1/2"	3.17	1.53	2.95	0.59	16.82
160-104	3/4"	3.52	1.88	3.74	0.79	34.8
160-105	1"	4.19	2.36	4.75	0.97	52.2
160-106	1-1/4"	5.01	2.59	4.75	1.23	112.52
160-107	1-1/2"	5.57	3.22	6	1.49	174
160-108	2"	6.31	3.5	6	1.99	255.2



WARNING: This product can expose you to chemicals including lead, which is known to the State of California to cause cancer, birth defects or other reproductive harm. For more information go to www.P65Warnings.ca.gov.