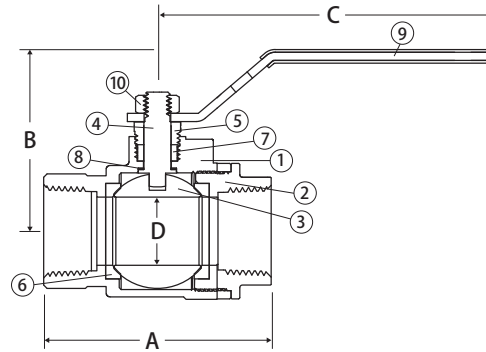


Bronze Ball Valve

2 Piece, Full Port, Threaded Connection, Stainless Steel Trim, 600 CWP, 150 WSP

T-200CSS



FEATURES

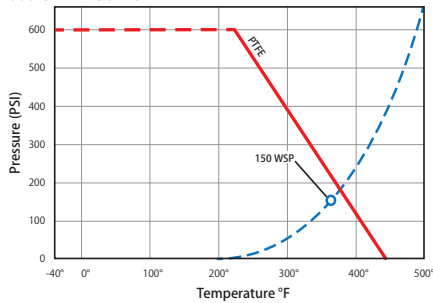
- Dezincification Resistant Bronze
- Blow-Out Proof Stem
- Heavy Commercial Pattern
- 100% Leak Tested
- 29 in-Hg Vacuum Rating

CERTIFICATIONS/APPROVALS

- Threads According to ANSI B1.20.1
- Meets MSS SP-110

VALVE SEAT RATING

600 CWP - 150 WSP



MATERIALS

No.	Part	Material
1	Body	Bronze - C84400
2	Tailpiece	Bronze - C84400
3	Ball	Stainless Steel 316
4	Stem	Stainless Steel 316
5	Packing Nut	Brass - C36000
6	Seat (2)	PTFE
7	Packing Gland	PTFE
8	Thrust Washer	PTFE
9	Handle	Stainless Steel 304
10	Handle Nut	Stainless Steel 304

DIMENSIONS

Part No	Size	A	B	C	D
200-701	1/4"	1.97	1.87	3.97	0.37
200-702	3/8"	1.97	1.87	3.97	0.37
200-703	1/2"	2.43	2.01	3.97	0.50
200-704	3/4"	2.79	2.46	4.78	0.75
200-705	1"	3.28	2.62	4.78	0.98
200-706	1-1/4"	3.68	2.79	7.04	1.24
200-707	1-1/2"	4.08	4.10	7.04	1.50
200-708	2"	4.59	4.41	7.04	1.97