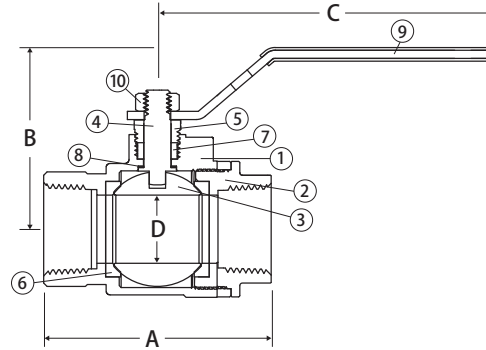


Lead Free Bronze Ball Valve

2 Piece, Full Port, Threaded Connection, Stainless Steel Trim, 600 CWP, 150 WSP

T-200CSSG



FEATURES

- Dezincification Resistant Lead Free Bronze
- Blow-Out Proof Stem
- Heavy Commercial Pattern
- 100% Leak Tested
- IAPMO Certified: NSF 61 & NSF 372 & NSF 14
- 29 in-Hg Vacuum Rating
- Wetted Surfaces Contain Less than .25% Lead Content
- Accessories Available

CERTIFICATIONS/APPROVALS

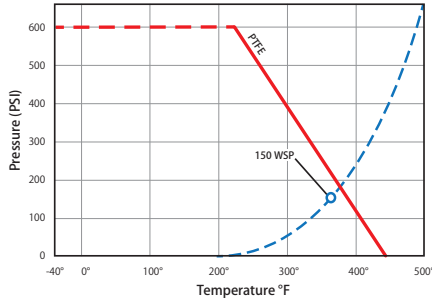
- IAPMO Certified
 - NSF/ANSI/CAN 61-8 2018
 - NSF/ANSI 372-2016
 - IAPMO/ANSI Z1157-2014
 - ASME A112.4.14/CSA B125.14:22
 - NSF/ANSI 14-2016
- Threads According to ANSI B1.20.1
- Meets MSS SP-110

PRESSURE/TEMPERATURE RATING

- 100 PSIG at 300°F (up to 2")
- 600 PSIG at Ambient (up to 2")

VALVE SEAT RATING

600 CWP - 150 WSP



MATERIALS

No.	Part	Material
1	Body	Lead Free Bronze - C89836
2	Tailpiece	Lead Free Bronze - C89836
3	Ball	Stainless Steel 316
4	Stem	Stainless Steel 316
5	Packing Nut	Brass - C36000
6	Seat (2)	PTFE
7	Packing Gland	PTFE
8	Thrust Washer	PTFE
9	Handle	Stainless Steel 304
10	Handle Nut	Stainless Steel 304

DIMENSIONS

Part No	Size	A	B	C	D	Cv
200-401SSG	1/4"	1.97	1.87	3.97	0.37	7.66
200-402SSG	3/8"	1.97	1.87	3.97	0.37	7.77
200-403SSG	1/2"	2.43	2.01	3.97	0.50	16.82
200-404SSG	3/4"	2.79	2.46	4.78	0.75	34.80
200-405SSG	1"	3.28	2.62	4.78	0.98	52.20
200-406SSG	1-1/4"	3.68	2.79	7.04	1.24	112.52
200-407SSG	1-1/2"	4.08	4.10	7.04	1.50	174.00
200-408SSG	2"	4.59	4.41	7.04	1.97	255.20
200-409SSG	2-1/2"	6.34	5.85	8.06	2.50	563.76
200-410SSG	3"	7.24	6.20	8.06	2.99	879.28