

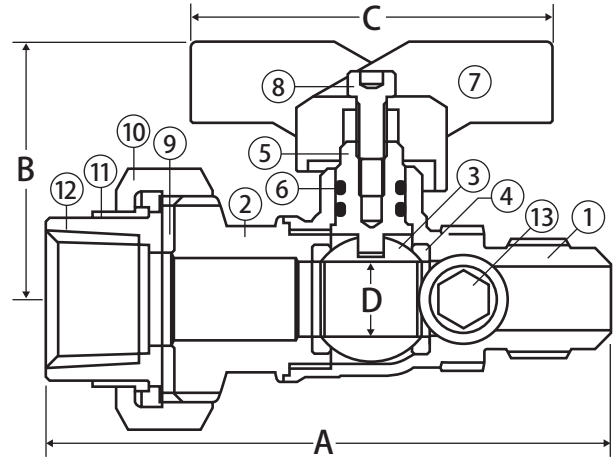
# Gas Ball Valve



**2 Piece • FIP Dielectric Union End x Flare Connection • Side Tap • 600 WOG**



**T-203DU - FIP DU x FL**



## Features

- Meets NFPA 58 Dielectric Union Requirement
- Eliminates Need for Test Tee and Labor to Install
- Removable Plug Enables Port for Pressure Gauge
- 1/8" Side Tap Valve
- Valve Can be Locked in Closed Position by Reversing Handle
- 2 NBR O-Rings
- 100% Leak Tested
- 100% Made in Italy
- Leakproof Stem - Lifetime Warranty

## Approvals


- CSA Certified
  - ANSI Z21.15 (.5 PSIG)
  - ASME B16.44 (5 PSI)
  - CSA 9.4:21 (5 PSIG) - indoor/outdoor uses
- ANSI B1.20.1
- Meets or Exceeds Applicable Part of UL: YSDT - LP Gas Shut-Off Valves (600 PSI)
- MSS SP-110
- Flare Connection in Accordance with NFPA 54/ANSI Z223.1
- Buy American Act Compliant

## Material Specifications

No.	Part	Materials
1	Body	Brass - C37700
2	End Connection	Brass - C37700
3	Ball	Chrome Plated Brass - C38500
4	Seat (2)	PTFE
5	Stem	Brass - C38500
6	Stem O-ring (2)	NBR
7	Handle	Aluminum
8	Handle Screw	Steel - Geomet® Plated
9	Gasket	Buna-N
10	Union Nut	Brass - C37700
11	Dielectric Ring	Nylon 6
12	Tail Piece	Brass - C38500
13	Side Tap Plug	Brass - C38500

## Dimensions

Part No.	Size	A	B	C	D
102-413DU	1/2" FIP x 1/2" FL	3.65	1.63	2.32	0.47

 **WARNING:** This product can expose you to chemicals including lead, which is known to the State of California to cause cancer, birth defects, or other reproductive harm. For more information go to [www.P65Warnings.ca.gov](http://www.P65Warnings.ca.gov).

## Valve Seat Rating

600 WOG

