

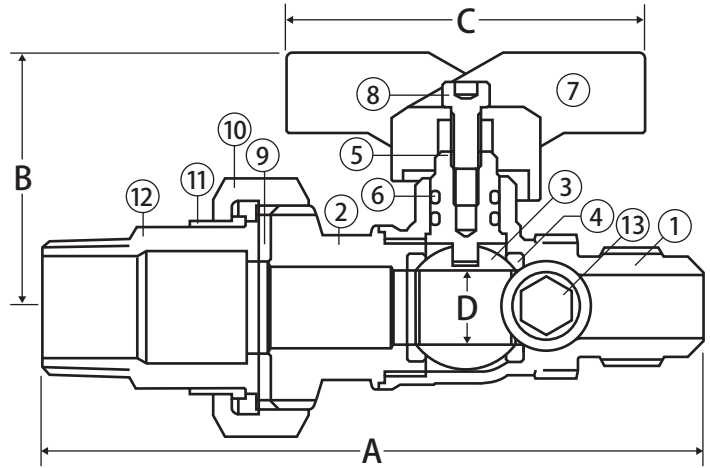
Gas Ball Valve



2 Piece • MIP Dielectric Union End x Flare Connection • Side Tap • 600 WOG



T-203DU - MIP DU x FL



Features

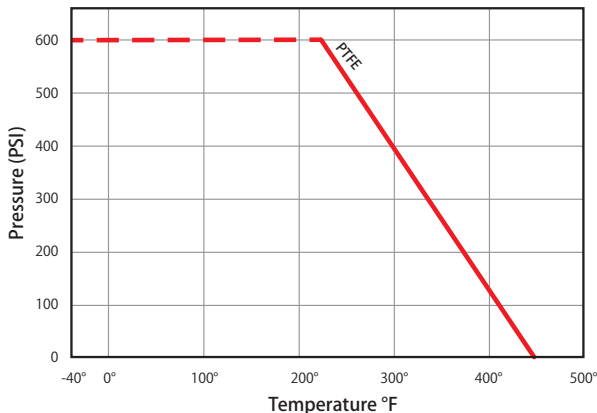
- Meets NFPA 58 Dielectric Union Requirement
- Eliminates Need for Test Tee and Labor to Install
- Removable Plug Enables Port for Pressure Gauge
- 1/8" Side Tap Valve
- Valve Can be Locked in Closed Position by Reversing Handle
- 2 NBR O-Rings
- 100% Leak Tested
- 100% Made in Italy
- Leakproof Stem - Lifetime Warranty

Approvals

- CSA Certified
 - ANSI Z21.15 (.5 PSIG)
 - ASME B16.44 (5 PSI)
 - CSA 9.4:21 (5 PSIG) - indoor/outdoor uses
- ANSI B1.20.1
- Meets or Exceeds Applicable Part of UL: YSDT - LP Gas Shut-Off Valves (600 PSI)
- MSS SP-110
- Flare Connection in Accordance with NFPA 54/ANSI Z223.1
- Buy American Act Compliant

Valve Seat Rating

600 WOG



Material Specifications

| No. | Part | Materials |
|-----|-----------------|------------------------------|
| 1 | Body | Brass - C37700 |
| 2 | End Connection | Brass - C37700 |
| 3 | Ball | Chrome Plated Brass - C38500 |
| 4 | Seat (2) | PTFE |
| 5 | Stem | Brass - C38500 |
| 6 | Stem O-ring (2) | NBR |
| 7 | Handle | Aluminum |
| 8 | Handle Screw | Steel - Geomet® Plated |
| 9 | Gasket | Buna-N |
| 10 | Union Nut | Brass - C37700 |
| 11 | Dielectric Ring | Nylon 6 |
| 12 | Tail Piece | Brass - C38500 |
| 13 | Side Tap Plug | Brass - C38500 |

Dimensions

| Part No. | Size | A | B | C | D |
|-----------|--------------------|------|------|------|------|
| 102-403DU | 1/2" MIP x 1/2" FL | 4.43 | 1.63 | 2.32 | 0.47 |

WARNING: This product can expose you to chemicals including lead, which is known to the State of California to cause cancer, birth defects, or other reproductive harm. For more information go to www.P65Warnings.ca.gov.

