

Gas Ball Valve

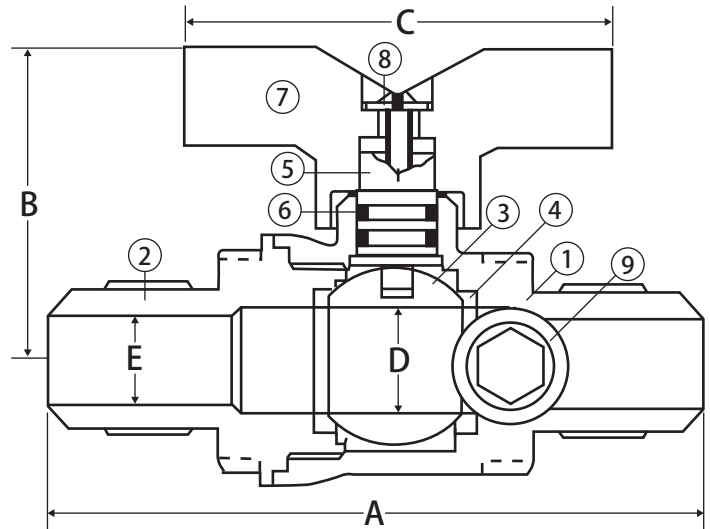


2 Piece • Flare Connection • Side Tap • 600 WOG



CRN# 0C16887.5469870YTN

T-203 - FL x FL



Features

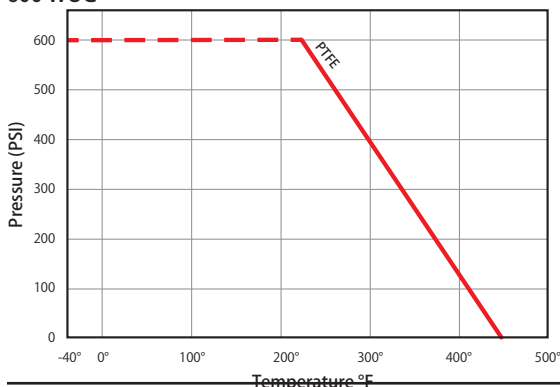
- Eliminates Need for Test Tee and Labor to Install
- Ideal for Outside Use in Extremely Cold Climates
- Removable Plug Enables Port for Pressure Gauge
- 1/8" Side Tap Valve
- Valve can be Locked in Closed Position by Reversing Handle
- 2 FKM O-rings
- 100% Leak Tested
- 100% Made in Italy
- Leakproof Stem - Lifetime Warranty
- Use Model T-100STN for Sizes Above 3/4"

Approvals

- UL Listed
 - YQNZ - Compressed Gas Shut-Off Valves
 - YRPV - Gas Shut-Off Valves
 - YSDT - LP Gas Shut-Off Valves
 - MHKZ - Manual Valves
 - YRBX - Flammable Liquid Shut-Off Valves
 - SFJQ - Valves, Refrigerant
- CSA Certified
 - ANSI Z21.15 (.5 PSIG)
 - ASME B16.44 (5 PSI)
 - CGA CR91 (5 PSIG)
- ANSI B1.20.1
- MSS SP-110
- Flare Connection in Accordance with NFPA 54/ANSI Z223.1
- Buy American Act Compliant

Valve Seat Rating

600 WOG



Material Specifications

No.	Part	Materials
1	Body	Brass - C37700
2	End Connection	Brass - C37700
3	Ball	Chrome Plated Brass - C38500
4	Seat (2)	PTFE
5	Stem	Brass - C38500
6	Stem O-ring (2)	FKM
7	Handle	Aluminum
8	Handle Screw	Steel - Geomet® Plated
9	Side Tap Plug	Brass - C38500

Dimensions

Part No.	Size	A	B	C	D	E
102-402	3/8" FL x 3/8" FL	2.91	1.63	2.32	0.47	0.28
102-403	1/2" FL x 1/2" FL	3.25	1.63	2.32	0.47	0.40
102-404	5/8" FL x 5/8" FL	3.62	1.69	2.32	0.59	0.50



WARNING: This product can expose you to chemicals including lead, which is known to the State of California to cause cancer, birth defects, or other reproductive harm. For more information go to www.P65Warnings.ca.gov.

