

# Gas Ball Valve



## 2 Piece • FIP Dielectric Union End x FIP Connection • 600 WOG



**T-204DU - FIP DU x FIP**

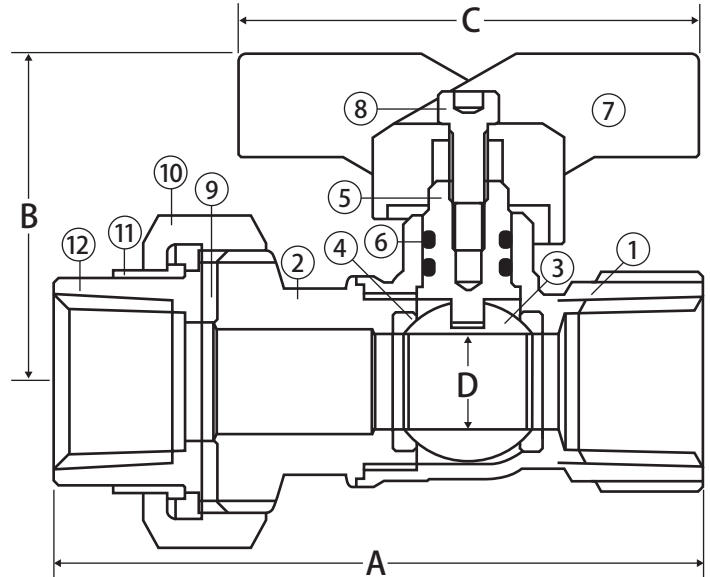
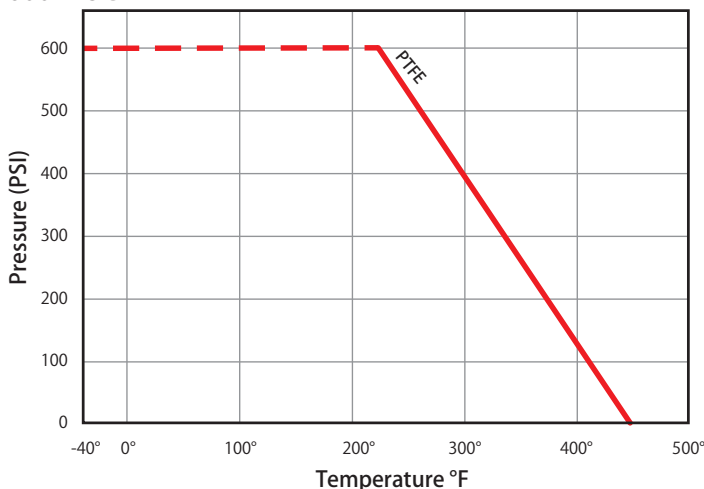
### Features

- Meets NFPA 58 Dielectric Union Requirement
- Valve Can be Locked in Closed Position by Reversing Handle
- 2 NBR O-Rings
- 100% Leak Tested
- 100% Made in Italy
- Leakproof Stem - Lifetime Warranty

### Approvals

- CSA Certified
  - ANSI Z21.15 (.5 PSIG)
  - ASME B16.44 (5 PSI)
  - CSA 9.4:21 (5 PSIG) – indoor/outdoor uses
- ANSI B1.20.1
- Meets or Exceeds Applicable Part of UL: YSDT - LP Gas Shut-Off Valves (600 PSI)
- MSS SP-110
- Buy American Act Compliant

### Valve Seat Rating 600 WOG




### Material Specifications

No.	Part	Materials
1	Body	Brass - C37700
2	End Connection	Brass - C37700
3	Ball	Chrome Plated Brass - C38500
4	Seat (2)	PTFE
5	Stem	Brass - C38500
6	Stem O-ring (2)	NBR
7	Handle	Aluminum
8	Handle Screw	Steel - Geomet® Plated
9	Gasket	Buna-N
10	Union Nut	Brass - C37700
11	Dielectric Ring	Nylon 6
12	Tail Piece	Brass - C38500

### Dimensions

Part No.	Size	A	B	C	D
101-403DU	1/2" FIP x 1/2" FIP	3.24	1.63	2.32	0.47
101-404DU	3/4" FIP x 3/4" FIP	3.55	1.79	2.32	0.59

 **WARNING:** This product can expose you to chemicals including lead, which is known to the State of California to cause cancer, birth defects, or other reproductive harm. For more information go to [www.P65Warnings.ca.gov](http://www.P65Warnings.ca.gov).

