

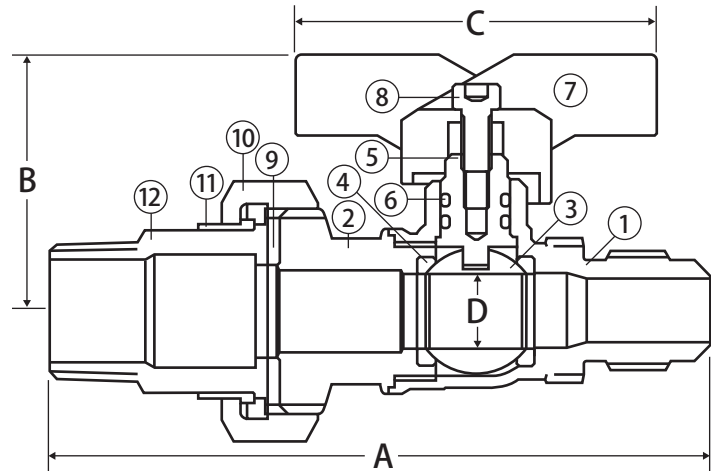
Gas Ball Valve



2 Piece • MIP Dielectric Union End x Flare Connection • 600 WOG



T-204DU - MIP DU x FL



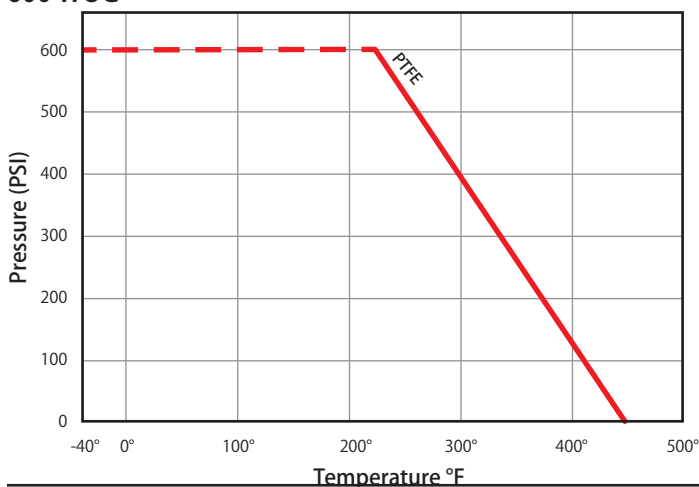
Features

- Meets NFPA 58 Dielectric Union Requirement
- Valve Can be Locked in Closed Position by Reversing Handle
- 2 NBR O-Rings
- 100% Leak Tested
- 100% Made in Italy
- Leakproof Stem - Lifetime Warranty

Approvals

- CSA Certified
 - ANSI Z21.15 (.5 PSIG)
 - ASME B16.44 (5 PSI)
 - CSA 9.4:21 (5 PSIG) – indoor/outdoor uses
- ANSI B1.20.1
- Meets or Exceeds Applicable Part of UL: YSDT - LP Gas Shut-Off Valves (600 PSI)
- MSS SP-110
- Flare Connection in Accordance with NFPA 54/ANSI Z223.1
- Buy American Act Compliant

Valve Seat Rating 600 WOG



Material Specifications

No.	Part	Materials
1	Body	Brass - C37700
2	End Connection	Brass - C37700
3	Ball	Chrome Plated Brass - C38500
4	Seat (2)	PTFE
5	Stem	Brass - C38500
6	Stem O-ring (2)	NBR
7	Handle	Aluminum
8	Handle Screw	Steel - Geomet® Plated
9	Gasket	Buna-N
10	Union Nut	Brass - C37700
11	Dielectric Ring	Nylon 6
12	Tail Piece	Brass - C38500

Dimensions

Part No.	Size	A	B	C	D
101-703DU	1/2" MIP x 1/2" FL	4.32	1.63	2.32	0.47
101-704DU	3/4" MIP x 5/8" FL	4.77	1.75	2.32	0.59

WARNING: This product can expose you to chemicals including lead, which is known to the State of California to cause cancer, birth defects or other reproductive harm. For more information go to www.P65Warnings.ca.gov.

