

Gas Ball Valve



2 Piece • Flare x FIP Connection • 600 WOG



T-Handle

Teardrop Handle

CRN# 0C16887.5469870YTN

T-204 FL x FIP

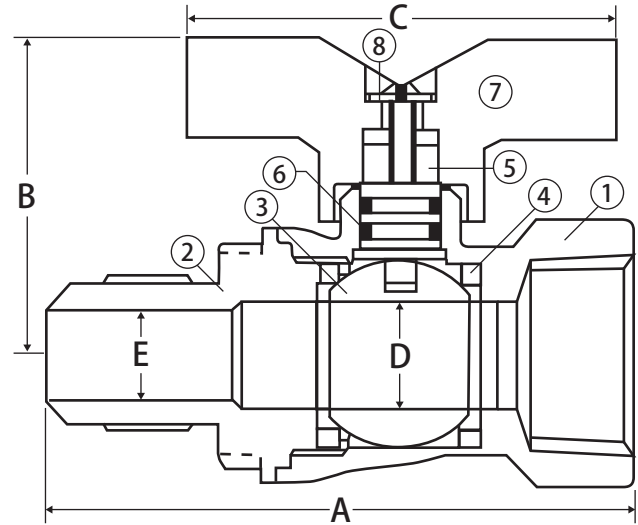
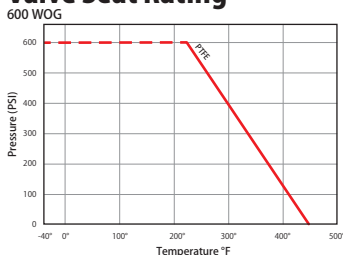
Features

- T-Handle and Teardrop Handle Available on Most Configurations
- Valve Can be Locked in Closed Position by Reversing Handle
- 2 FKM O-Rings
- 100% Leak Tested
- 100% Made in Italy
- Leakproof Stem - Lifetime Warranty
- Use Model T-100NE for Sizes Above 3/4"

Approvals

- UL Listed
 - YQNZ - Compressed Gas Shut-Off Valves
 - YRPV - Gas Shut-Off Valves
 - YSDT - LP Gas Shut-Off Valves
 - MHKZ - Manual Valves
 - YRBX - Flammable Liquid Shut-Off Valves
 - SFJQ - Valves, Refrigerant
- CSA Certified
 - ANSI Z21.15 (.5 PSIG)
 - ASME B16.44 (5 PSI)
 - CGA CR91 (5 PSIG)
- ANSI B1.20.1
- MSS SP-110
- Flare Connection in Accordance with NFPA 54/ANSI Z223.1
- Buy American Act Compliant

Valve Seat Rating



Material Specifications

No.	Part	Materials
1	Body	Brass - C37700
2	End Connection	Brass - C37700
3	Ball	Chrome Plated Brass - C38500
4	Seat (2)	PTFE
5	Stem	Brass - C38500
6	Stem O-ring (2)	FKM
7	Handle	Aluminum
8	Handle Screw	Steel - Geomet® Plated

Dimensions

Part No.	Size	A	B	C	D	E
T-handle						
101-502	3/8" FL x 1/2" FIP	2.67	1.63	2.32	0.47	0.40
101-503	1/2" FL x 1/2" FIP	2.82	1.63	2.32	0.47	0.40
101-504	5/8" FL x 3/4" FIP	2.96	1.69	2.32	0.59	0.50
Teardrop Handle						
101-512	3/8" FL x 1/2" FIP	2.67	1.40	1.97	0.47	0.40
101-513	1/2" FL x 1/2" FIP	2.82	1.40	1.97	0.47	0.40



WARNING: This product can expose you to chemicals including lead, which is known to the State of California to cause cancer, and lead, which is known to the State of California to cause birth defects or other reproductive harm. For more information go to www.P65Warnings.ca.gov.

