

# Brass Gate Valve



## Non-rising Stem • Threaded Connection • 200 WOG



T-301

### Features

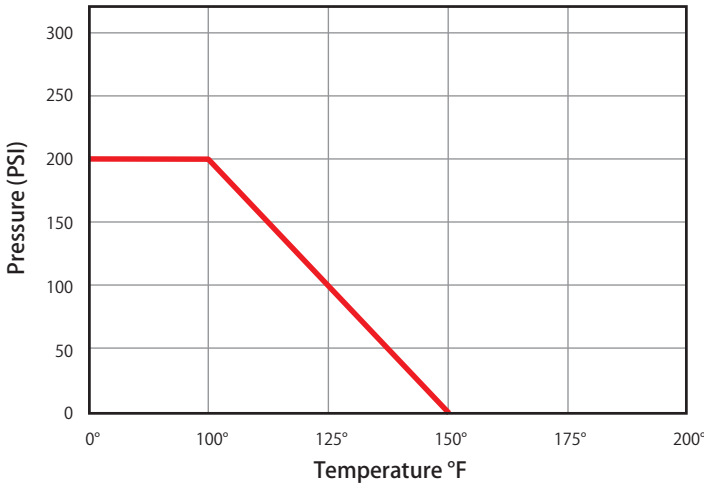
- Manufactured in ISO-9001 facility
- Solid wedge gate

### Approvals

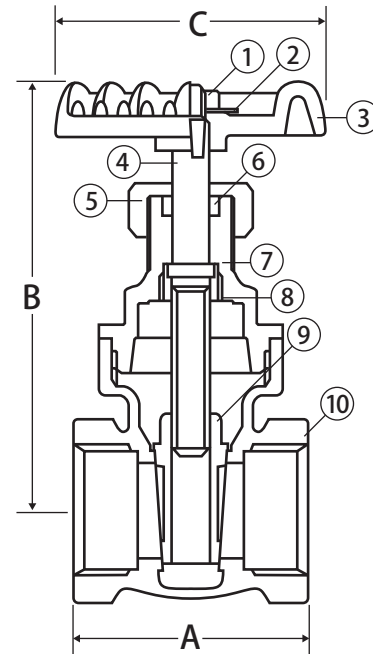
- ANSI B1.20.1
- MSS SP-25

### Pressure Rating

200 WOG



**WARNING:** This product can expose you to chemicals including lead, which is known to the State of California to cause cancer, and lead, which is known to the State of California to cause birth defects or other reproductive harm. For more information go to [www.P65Warnings.ca.gov](http://www.P65Warnings.ca.gov).



### Material Specifications

| No. | Part          | Materials  |
|-----|---------------|------------|
| 1   | Handle Nut    | Steel      |
| 2   | Name Plate    | Aluminum   |
| 3   | Hand Wheel    | Cast Iron  |
| 4   | Stem          | Brass      |
| 5   | Packing Nut   | Brass      |
| 6   | Gland Packing | Buna-N     |
| 7   | Bonnet        | Cast Brass |
| 8   | Lock Nut      | Brass      |
| 9   | Disc          | Cast Brass |
| 10  | Body          | Cast Brass |

### Dimensions

| Part No. | Size   | A    | B     | C    |
|----------|--------|------|-------|------|
| 103-303  | 1/2"   | 1.69 | 2.84  | 2.13 |
| 103-304  | 3/4"   | 1.85 | 3.31  | 2.13 |
| 103-305  | 1"     | 2.17 | 3.94  | 2.52 |
| 103-306  | 1-1/4" | 2.40 | 4.57  | 2.75 |
| 103-307  | 1-1/2" | 2.52 | 4.84  | 3.07 |
| 103-308  | 2"     | 2.83 | 5.90  | 3.54 |
| 103-309  | 2-1/2" | 3.51 | 7.33  | 4.14 |
| 103-310  | 3"     | 3.98 | 8.75  | 5.12 |
| 103-311  | 4"     | 4.57 | 10.17 | 6.78 |