

Lead Free Brass Gate Valve



Non-rising Stem • Threaded Connection • 200 WOG



T-301G

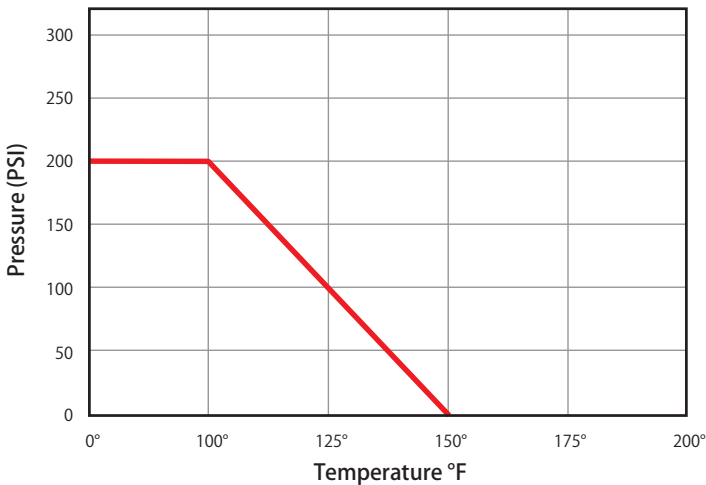
Features

- Solid wedge gate
- Wetted surfaces contain less than .25% lead content

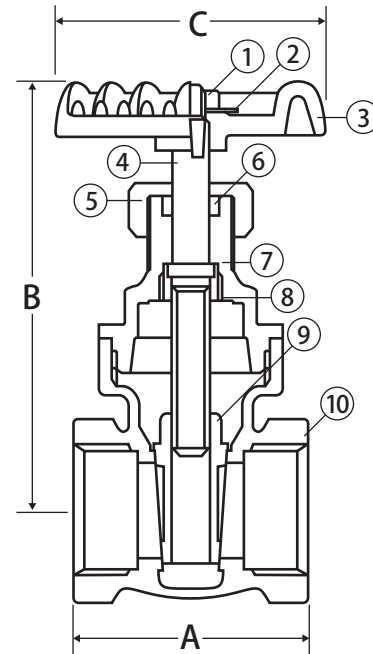
Approvals

- ANSI B1.20.1
- Truesdail Certified NSF/ANSI/CAN 61 & 372
- MSS SP-139
- MSS SP-25

Pressure Rating 200 WOG



WARNING: This product can expose you to chemicals including lead, which is known to the State of California to cause cancer, birth defects or other reproductive harm. For more information go to www.P65Warnings.ca.gov.



Material Specifications

No.	Part	Materials
1	Handle Nut	Steel
2	Name Plate	Aluminum
3	Hand Wheel	Cast Iron
4	Stem	Lead Free Brass
5	Packing Nut	Lead Free Brass
6	Gland Packing	Buna-N
7	Bonnet	Cast Brass
8	Lock Nut	Lead Free Brass
9	Disc	Lead Free Cast Brass
10	Body	Lead Free Cast Brass

Dimensions

Part No.	Size	A	B	C
103-303G	1/2"	1.69	2.84	2.13
103-304G	3/4"	1.85	3.31	2.13
103-305G	1"	2.17	3.94	2.52
103-306G	1-1/4"	2.40	4.57	2.75
103-307G	1-1/2"	2.44	4.93	3.13
103-308G	2"	2.84	6.03	3.27