

# Lead Free Bronze Gate Valve



Rising Stem • Threaded Connection • 300 WOG



T-351G

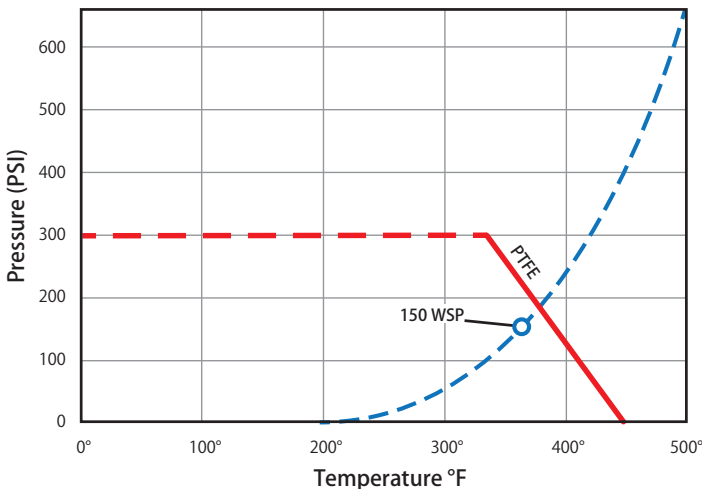
### Features

- Solid wedge gate with rising stem
- Wetted surfaces contain less than .25% lead content
- Dezincification Resistant

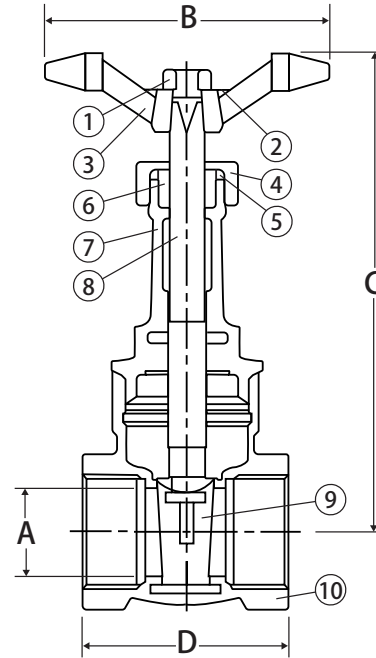
### Approvals

- NSF 61 & NSF 372
- ANSI B1.20.1
- IAPMO Certified - NSF 61
- MSS SP-139

### Pressure Rating 300 WOG - 150 WSP



**WARNING:** This product can expose you to chemicals including lead, which is known to the State of California to cause cancer, and lead, which is known to the State of California to cause birth defects or other reproductive harm. For more information go to [www.P65Warnings.ca.gov](http://www.P65Warnings.ca.gov).



### Material Specifications

No.	Part	Materials
1	Handle Nut	Steel
2	Name Plate	Aluminum
3	Hand Wheel	Cast Iron
4	Packing Nut	Brass Rod - C37700
5	Gland Packing	Brass Rod - C37700
6	Packing	PTFE
7	Bonnet	Cast Bronze - C89844
8	Stem	Brass Rod - C46400
9	Disc	Cast Bronze - C89844
10	Body	Cast Bronze - C89844

### Dimensions

Part No.	Size	A	B	C	D
103-353G	1/2"	0.51	2.05	3.76	1.88
103-354G	3/4"	0.75	2.26	4.47	2.05
103-355G	1"	0.98	2.76	5.38	2.32
103-356G	1-1/4"	1.25	3.15	6.34	2.52
103-357G	1-1/2"	1.50	3.74	6.96	2.68
103-358G	2"	1.97	3.74	8.54	2.93