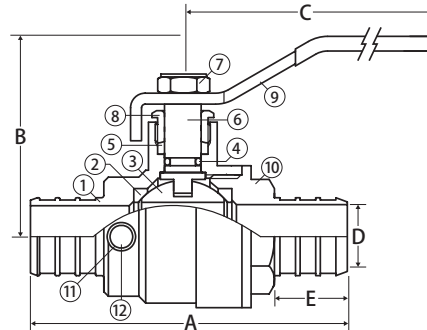


## Lead Free Brass Ball Valve

2 Piece, Crimp Pex Connection with Drain, Stainless Steel Trim, 600 CWP

**T-413G**



### FEATURES

- Dezincification Resistant Brass Alloy
- Gland Follower and Single O-Ring Stem Design
- Blow-Out Proof Stem
- 100% Leak Tested
- IAPMO Certified - NSF 61 & NSF 372
- ASTM F1807
- Wetted Surfaces Contain Less than .25% Content

### CERTIFICATIONS/APPROVALS

- ASTM F1807
- RoHS Compliant
- CSA Certified
  - ASME A112.4.14
- IAPMO Certified
  - NSF 61-8
  - NSF 372
  - Uniform Plumbing Code (cUPC)
    - IAPMO/ANSI Z1157-2014
    - NSF/ANSI 14-2014

### PRESSURE/TEMPERATURE RATING

- 1/2" - 400 CWP
- 3/4" - 600 CWP
- Crimp Connection Rated to 100 CWP up to 180°F

### MATERIALS

No.	Part	Material
1	Body	Lead Free Brass - C46500
2	Seat	PTFE
3	Ball	304 Stainless Steel
4	O-ring	Buna-N
5	Packing	PTFE
6	Stem	304 Stainless Steel
7	Handle Nut	Steel - Chrome Plated
8	Packing Gland	Lead Free Brass - C46500
9	Handle	Steel - Chrome Plated
10	End Connection	Lead Free Brass - C46500
11	Cap	Brass - C37700
12	Gasket	EPDM

### DIMENSIONS

Part No	Size	A	B	C	D	E
103-543PG	1/2"	2.66	1.65	3.54	0.35	0.63
103-544PG	3/4"	2.82	1.72	3.54	0.53	0.63