

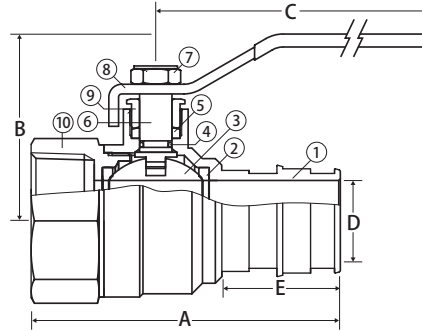
Lead Free Brass Ball Valve

2 Piece, Threaded FIP x Expansion Pex Connection, Stainless Steel Trim, 400 WOG

T-422G FIP x EXPANSION



*Also Available in T-Handle



FEATURES

- Dezincification Resistant Brass Alloy
- Gland Follower and Single O-Ring Stem Design
- Blow-Out Proof Stem
- 100% Leak Tested
- IAPMO Certified - NSF 61 & NSF 372 & NSF 14 Certified
- ASTM F1960
- Wetted Surfaces Contain Less than .25% Content

CERTIFICATIONS/APPROVALS

- ASTM F1960
- IAPMO Certified
 - NSF 61-8
 - NSF 372
 - Uniform Plumbing Code (cUPC)
 - IAPMO/ANSI Z1157-2014
 - NSF/ANSI 14-2014
- ANSI B1.20.1

PRESSURE/TEMPERATURE RATING

Body Rated to 400 WOG
Expansion Connection Rated to 150 WOG up to 200°F

MATERIALS

| No. | Part | Material |
|-----|----------------|--------------------------|
| 1 | Body | Lead Free Brass - C46400 |
| 2 | Seat | PTFE |
| 3 | Ball | 304 Stainless Steel |
| 4 | O-ring | Buna-N |
| 5 | Packing | PTFE |
| 6 | Stem | 304 Stainless Steel |
| 7 | Handle Nut | Steel - Chrome Plated |
| 8 | Handle | Steel - Chrome Plated |
| 9 | Packing Nut | Brass - C37700 |
| 10 | End Connection | Lead Free Brass - C46400 |

DIMENSIONS

| Part No | Size | A | B | C | D | E |
|-----------|------|------|------|------|------|------|
| 104-554PG | 3/4" | 2.68 | 1.81 | 3.35 | 0.61 | 0.94 |
| 104-555PG | 1" | 3.33 | 2.09 | 4.29 | 0.81 | 1.18 |