

Brass Boiler Drain

Threaded Male Connection • 125 WOG



T-621

Features

- Manufactured in ISO-9001 facility
- 3/4" hose thread outlet

Approvals

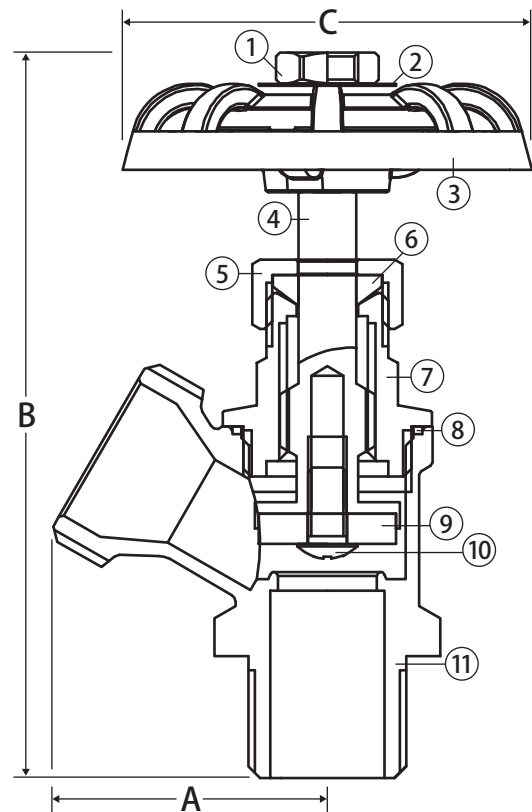
- ANSI B1.20.1
- ANSI B1.20.7

Pressure Rating

- 125 WOG



WARNING: This product can expose you to chemicals including lead, which is known to the State of California to cause cancer, and lead, which is known to the State of California to cause birth defects or other reproductive harm. For more information go to www.P65Warnings.ca.gov.



Material Specifications

No.	Part	Materials
1	Handle Nut	SS304 Stainless Steel
2	Name Plate	Aluminum
3	Hand Wheel	Cast Iron
4	Stem	Brass - C46500
5	Packing Nut	Brass - C37700
6	Gland Packing	PTFE
7	Bonnet	Cast Brass - C46500
8	Gasket	PTFE
9	Seat Packing	EPDM
10	Seat Screw	SS304 Stainless Steel
11	Body	Brass - C46500

Dimensions

Part No.	Size	A	B	C
201-003	1/2"	1.58	3.59	2.13
201-004	3/4"	1.58	3.70	2.13