

Lead Free Brass Boiler Drain

Crimp PEX Connection • 125 WOG



T-624G

Features

- Manufactured in ISO-9001 facility
- Wetted surfaces contain less than .25% lead content

Approvals

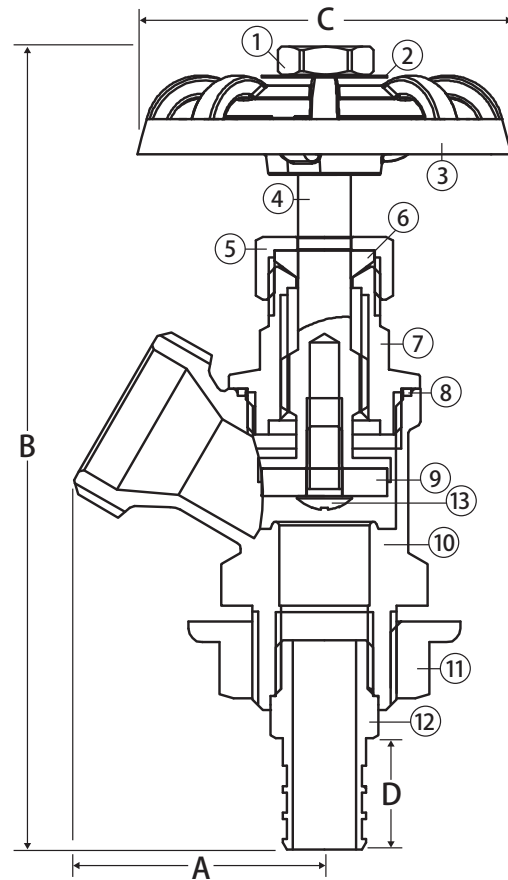
- Lead Free Compliant
- ANSI B1.20.7
- ASTM FM1807

Pressure Rating

- 125 WOG



WARNING: This product can expose you to chemicals including lead, which is known to the State of California to cause cancer, and lead, which is known to the State of California to cause birth defects or other reproductive harm. For more information go to www.P65Warnings.ca.gov.



Material Specifications

| No. | Part | Materials |
|-----|--------------------|------------------------|
| 1 | Nut | 304 Stainless Steel |
| 2 | Nameplate | Aluminum |
| 3 | Handle Wheel | Cast Iron |
| 4 | Stem | Lead Free Brass C46500 |
| 5 | Compression Nut | Brass C37700 |
| 6 | Gasket | PTFE |
| 7 | Bonnet | Lead Free Brass C46500 |
| 8 | Gasket | PTFE |
| 9 | Seal Gasket | EPDM |
| 10 | Body | Lead Free Brass C46500 |
| 11 | Plastic Nut | ABS Plastic |
| 12 | PEX End Connection | Lead Free Brass C46500 |
| 13 | Screw | 304 Stainless Steel |

Dimensions

| Part No. | Size | A | B (Open) | C | D |
|----------|------|------|----------|------|------|
| 201-123G | 1/2" | 1.50 | 4.61 | 2.10 | 0.63 |