

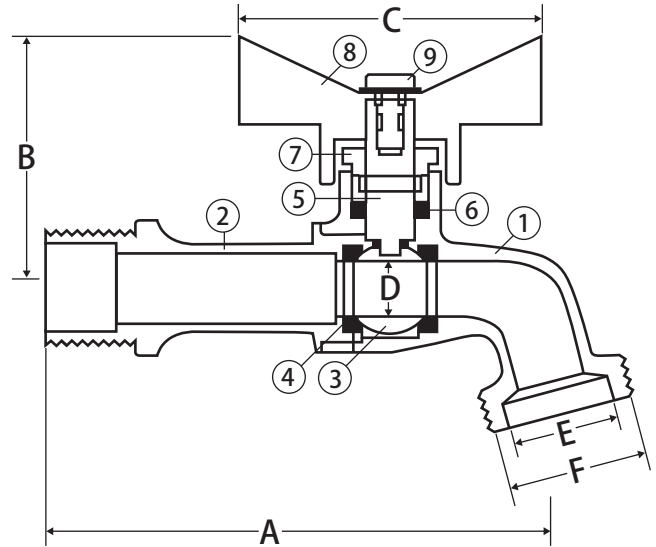
# Brass Hose Bibb Ball Valve



Nickel Plated • Threaded and Solder Connection •  
Quarter Turn • 200 WOG



T-632



## Features

- Aluminum T-handle for easy operation
- Long life positive shut-off
- Nickel-plated finish
- 1/2" has combination 1/2" MIP and 1/2" solder inlet
- 3/4" hose thread outlet

## Approvals

- ANSI B1.20.1
- ANSI B1.20.7
- ASME/ANSI B16.18

## Valve Seat Rating

- 200 WOG



**WARNING:** This product can expose you to chemicals including lead, which is known to the State of California to cause cancer, and lead, which is known to the State of California to cause birth defects or other reproductive harm. For more information go to [www.P65Warnings.ca.gov](http://www.P65Warnings.ca.gov).

## Material Specifications

No.	Part	Materials
1	Body	Nickel Plated Brass - C37700
2	End Connection	Nickel Plated Brass - C37700
3	Ball	Chrome Plated Brass - C36000
4	Seat (2)	PTFE
5	Stem	Brass - C36000
6	Packing	PTFE
7	Packing Gland	Brass - C36000
8	Handle	Aluminum
9	Handle Nut	Steel

## Dimensions

Part No.	Size	A	B	C	D	E	F
201-205	1/2"	3.02	1.43	1.91	0.39	0.75	3/4 GHT
201-206	3/4"	3.06	1.43	1.91	0.39	0.75	3/4 GHT