

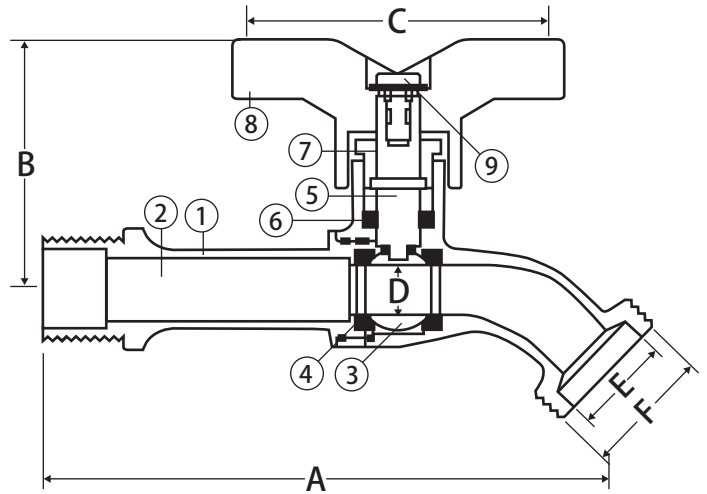
Brass Hose Bibb Ball Valve



Nickel Plated • Threaded Connection • Quarter Turn • 200 WOG • with No Kink



T-632NK



Features

- Aluminum T-handle for easy operation
- Long life positive shut-off
- Nickel-plated finish
- 1/2" has combination 1/2" MIP and 1/2" solder inlet
- 3/4" hose thread outlet

Approvals

- ANSI B1.20.1
- ANSI B1.20.7
- ASME/ANSI B16.18

Valve Seat Rating

- 200 WOG

Material Specifications

No.	Part	Materials
1	Body	Nickel Plated Brass - C37700
2	End Connection	Nickel Plated Brass - C37700
3	Ball	Chrome Plated Brass - C36000
4	Seat (2)	PTFE
5	Stem	Brass - C36000
6	Packing	PTFE
7	Packing Gland	Brass - C36000
8	Handle	Aluminum
9	Handle Screw	Nickel Plated Brass

Dimensions

Part No.	Size	A	B	C	D	E	F
201-207	1/2"	3.97	1.97	2.58	0.39	0.75	3/4 GHT
201-208	3/4"	3.97	1.97	2.58	0.39	0.75	3/4 GHT



WARNING: This product can expose you to chemicals including lead, which is known to the State of California to cause cancer, and lead, which is known to the State of California to cause birth defects or other reproductive harm. For more information go to www.P65Warnings.ca.gov.