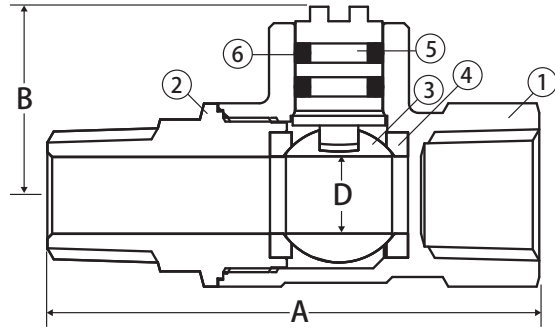
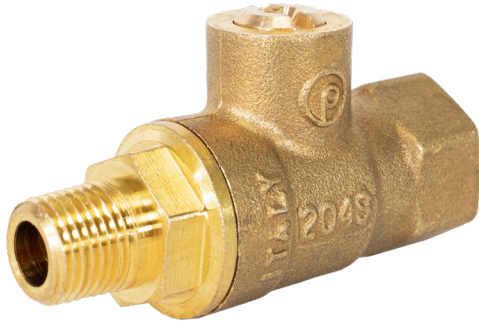


Lead Free Brass Ball Valve

Mini Valve, 2 Piece, Full Port, Threaded Connection with Screwdriver Slot, 600 WOG

T-82MG



FEATURES

- Dezincification Resistant Brass Alloy
- 2 FKM O-Rings
- Greater Flow Rate
- Large Raised Wrench Flats
- Blow-Out Proof Stem
- 100% Leak Tested
- 100% Made in Italy
- NSF 61 & NSF 372 Certified
- Leakproof Stem - Lifetime Warranty
- Wetted Surfaces Contain Less than .25% Content

MATERIALS

No.	Part	Material
1	Body	Lead Free Brass - C28500
2	End Connection	Lead Free Brass - C28500
3	Ball	Chrome Plated Brass - C28500
4	Seat (2)	PTFE
5	Stem	Lead Free Brass - C28500
6	Stem O-ring (2)	FKM

CERTIFICATIONS/APPROVALS

- NSF 372
- NSF 61-8
- NSF 61 - Annex G
- MSS SP-110
- ANSI B1.20.1
- Meets ISO 6509

DIMENSIONS

Part No	Size	A	B	D
100-296G	1/4" FIP x 1/8" MIP	1.96	0.77	0.31

VALVE SEAT RATING

600 WOG - 150 WSP

