

# Brass Mini Ball Valve



2 Piece • Full Port • Threaded Connection • Mini Valves • 600 WOG



100-397 100-398 100-399 100-400



100-397TH 100-398TH 100-399TH 100-400TH

**T-83C**

## Features

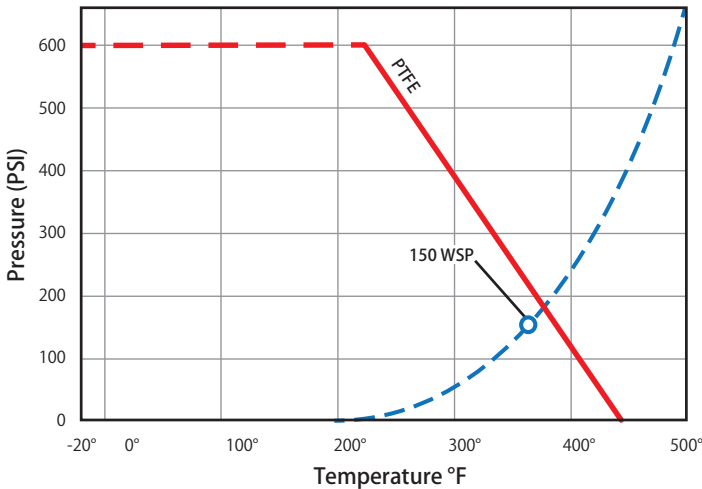
- Large raised wrench flats
- 2 Buna-N o-rings
- 100% leak tested

## Approvals

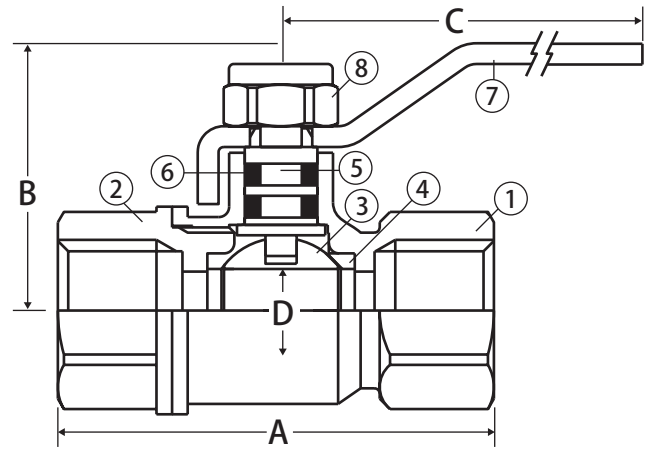
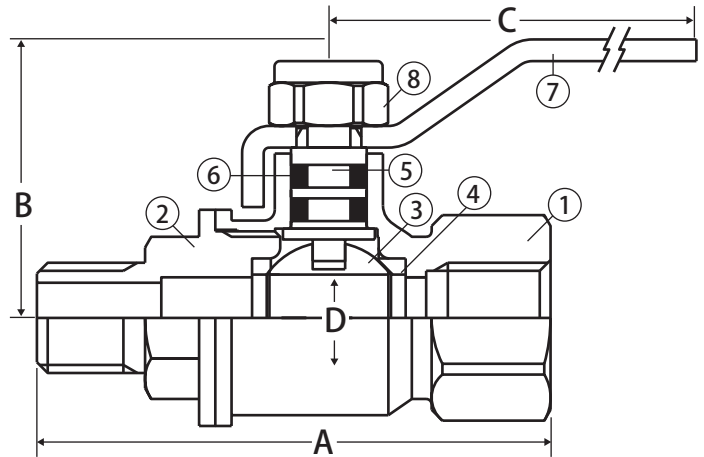
- MSS SP-110
- ANSI B1.20.1

## Valve Seat Rating

600 WOG - 150 WSP



**WARNING:** This product can expose you to chemicals including lead, which is known to the State of California to cause cancer, and lead, which is known to the State of California to cause birth defects or other reproductive harm. For more information go to [www.P65Warnings.ca.gov](http://www.P65Warnings.ca.gov).



## Material Specifications

| No. | Part                | Materials                         |
|-----|---------------------|-----------------------------------|
| 1   | Body                | Brass - C37700                    |
| 2   | End Connection      | Brass - C37700                    |
| 3   | Ball                | Chrome Plated Brass - C37700      |
| 4   | Seat (2)            | PTFE                              |
| 5   | Stem                | Brass - C37700                    |
| 6   | Stem O-ring (2)     | Buna-N                            |
| 7   | Handle*             | Steel - Chrome Plated or Aluminum |
| 8   | Handle Nut / Screw* | Steel - Chrome Plated             |

\*Material depends on handle selection

## Dimensions

| Part No.            | Size                | A    | B    | C    | D    |
|---------------------|---------------------|------|------|------|------|
| <b>Lever Handle</b> |                     |      |      |      |      |
| 100-397             | 1/8" FIP x 1/8" MIP | 1.90 | 1.07 | 1.77 | 0.28 |
| 100-398             | 1/4" FIP x 1/8" MIP | 1.93 | 1.07 | 1.77 | 0.28 |
| 100-399             | 1/4" FIP x 1/4" MIP | 2.01 | 1.07 | 1.77 | 0.28 |
| 100-400             | 1/4" FIP x 1/4" FIP | 1.65 | 1.07 | 1.77 | 0.28 |
| <b>T-Handle</b>     |                     |      |      |      |      |
| 100-397TH           | 1/8" FIP x 1/8" MIP | 1.90 | 1.10 | 1.33 | 0.28 |
| 100-398TH           | 1/4" FIP x 1/8" MIP | 1.93 | 1.10 | 1.33 | 0.28 |
| 100-399TH           | 1/4" FIP x 1/4" MIP | 2.01 | 1.10 | 1.33 | 0.28 |
| 100-400TH           | 1/4" FIP x 1/4" FIP | 1.65 | 1.10 | 1.33 | 0.28 |