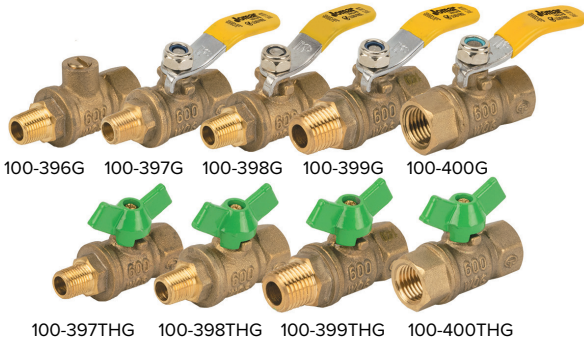


Lead Free Brass Ball Valve

Mini Valves, 2 Piece, Full Port, Threaded Connection, Stainless Steel Trim, 600 WOG

T-83CG



FEATURES

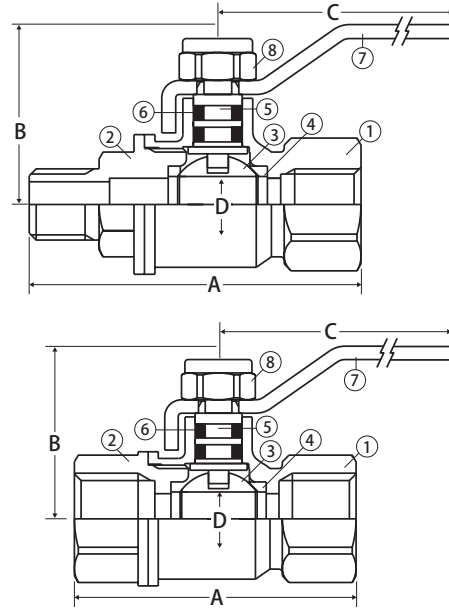
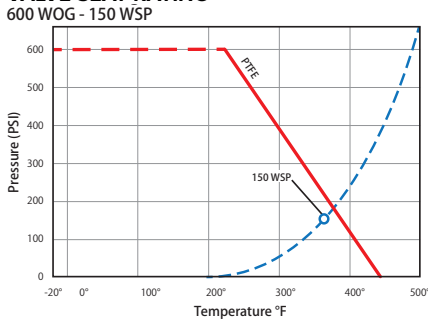
- Dezincification Resistant Brass Alloy
- Large Raised Wrench Flats
- Blow-Out Proof Stem
- 100% Leak Tested
- IAPMO Certified - NSF 61 & NSF 372
- Wetted Surfaces Contain Less than .25% Content

CERTIFICATIONS/APPROVALS

- IAPMO Certified
 - NSF 61-8
 - NSF 372
 - Uniform Plumbing Code (UPC)
 - IAPMO/ANSI Z1157-2014
 - NSF/ANSI 14-2014

MSS SP-110
ANSI B1.20.1

VALVE SEAT RATING



MATERIALS

No.	Part	Material
1	Body	Lead Free Brass - C46500
2	End Connection	Lead Free Brass - C46500
3	Ball	304 Stainless Steel
4	Seat (2)	PTFE
5	Stem	304 Stainless Steel
6	Stem O-ring (2)	Buna-N
7	Handle*	Steel - Chrome Plated or Aluminum
8	Handle Nut / Screw*	Steel - Chrome Plated

*Material Depends on Handle Selection

DIMENSIONS

Part No	Size	A	B	C	D	C _v
Screwdriver Slot						
100-396G	1/4" FIP x 1/8" MIP	1.93	0.77	-	0.28	4.63
Lever Handle						
100-397G	1/8" FIP x 1/8" MIP	1.90	1.07	1.77	0.28	4.63
100-398G	1/4" FIP x 1/8" MIP	1.93	1.07	1.77	0.28	4.63
100-399G	1/4" FIP x 1/4" MIP	2.01	1.07	1.77	0.28	4.63
100-400G	1/4" FIP x 1/4" FIP	1.65	1.07	1.77	0.28	4.63
T-Handle						
100-397THG	1/8" FIP x 1/8" MIP	1.90	1.10	1.33	0.28	4.63
100-398THG	1/4" FIP x 1/8" MIP	1.93	1.10	1.33	0.28	4.63
100-399THG	1/4" FIP x 1/4" MIP	2.01	1.10	1.33	0.28	4.63
100-400THG	1/4" FIP x 1/4" FIP	1.65	1.10	1.33	0.28	4.63

WARNING: This product can expose you to chemicals including lead, which is known to the State of California to cause cancer, birth defects or other reproductive harm. For more information go to www.P65Warnings.ca.gov.