

Brass Ball Valve



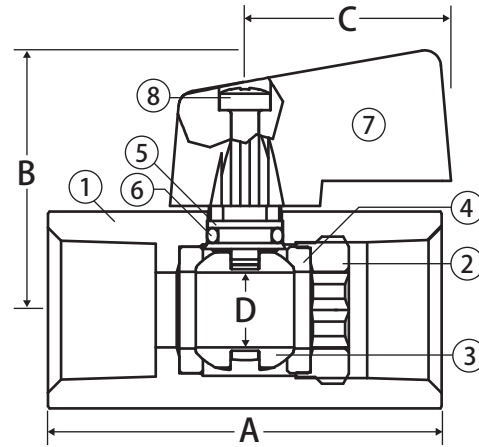
1 Piece • Standard Port • Threaded Connection • Mini Valves
450 WOG



FIP x FIP



MIP x FIP
T-84-M



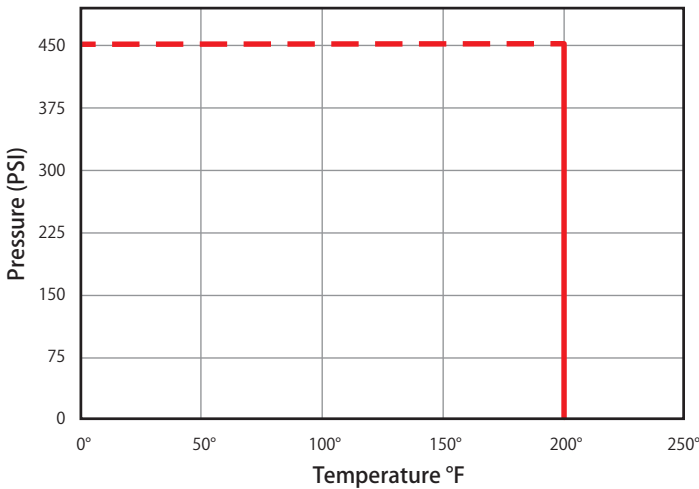
Features

- Blow-out proof stem
- Single o-ring stem design
- Chrome plated brass
- 100% leak tested
- 100% Made in Italy

Approvals

- MSS SP-110
- ANSI B1.20.1

Valve Seat Rating 450 WOG



Material Specifications

No.	Part	Materials
1	Body	Chrome Plated Brass - CW614N
2	Body Inset	Brass - CW614N
3	Ball	Nickel Plated Brass - CW614N
4	Seat (2)	PTFE
5	Stem	Brass - CW614N
6	Stem O-Ring	Buna-N
7	Handle	Nylon 66 - 30% Glass Filled
8	Handle screw	Steel

Dimensions

Part No.	Size	Dimensions			
		A	B	C	D
FIP x FIP					
100-430	1/8"	1.54	1.05	0.86	0.31
100-431	1/4"	1.70	1.05	0.86	0.31
100-432	3/8"	1.70	1.07	0.86	0.31
100-433	1/2"	2.09	1.16	0.86	0.39

MIP x FIP					
100-440	1/8"	1.54	1.05	0.86	0.31
100-441	1/4"	1.70	1.05	0.86	0.31
100-442	3/8"	1.70	1.07	0.86	0.31
100-443	1/2"	2.09	1.16	0.86	0.39

Extended Handle					
100-460	1/8"	1.54	1.05	2.28	0.31
100-461	1/4"	1.70	1.05	2.28	0.31
100-462	3/8"	1.70	1.07	2.28	0.31
100-463	1/2"	2.09	1.16	2.28	0.39

WARNING: This product can expose you to chemicals including lead, which is known to the State of California to cause cancer, and lead, which is known to the State of California to cause birth defects or other reproductive harm. For more information go to www.P65Warnings.ca.gov.

